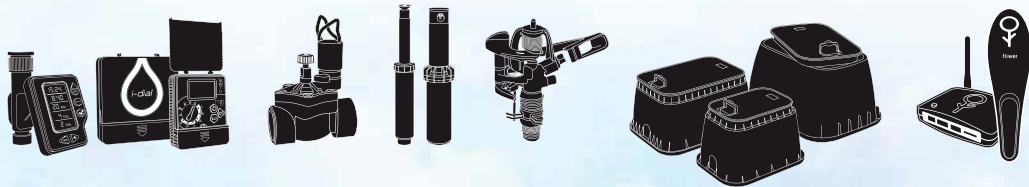


PROFESSIONAL SINCE 1968

50 1968-2018
HERITAGE &
INNOVATION

rain

EXPORT CATALOGUE **2018**



INNOVATIVE IRRIGATION



PROFESSIONAL IRRIGATION SYSTEMS

www.rain.it

OUR HISTORY

RAIN was founded in 1968 as a family company and continues to be a family run business today. RAIN focus has always been to efficiently irrigate any landscape through automatic systems helping to conserve water. The company prides itself on their green credentials through a sustainable office and production facility to the innovative and technical specification of products represented and manufactured by RAIN.

Since the early seventies RAIN has been passionate about manufacturing new and innovative products. The invention of the irrigation controller 'PIOGGIATORE' by the founder of RAIN has enthused the second generation to continue with the creative spirit, which led to the development of Europe's finest engineered electric valves, battery controllers, sprinklers, injectors and accessories. Through these innovations RAIN has grown from strength to strength positioning the company as a key manufacturer in the irrigation industry.

RAIN is proud to be the center of the market. Being at the pulse of the market ensures product specification, logistics and customer service are suited to the European and international customer. RAIN is now the leading European manufacturer and supplier of a range of products for the professional and DIY market.

OFFICES

RAIN's headquarters is based in Cerro Maggiore, situated close to Milan along the Milan Malpensa motorway. The office consists of two buildings; the main office facility and manufacturing site (2500m²) and the logistic warehouse (300m²).

RAIN also has an office and warehouse facility in Casoria (NA) dedicated to servicing the central and Southern area of Italy. Internationally, the office and warehouse centre in Bordeaux, France is strategically located to serve the French and Northern European market.



...il cuore dell'irrigazione.



PROFESSIONAL IRRIGATION SYSTEMS

MISSION

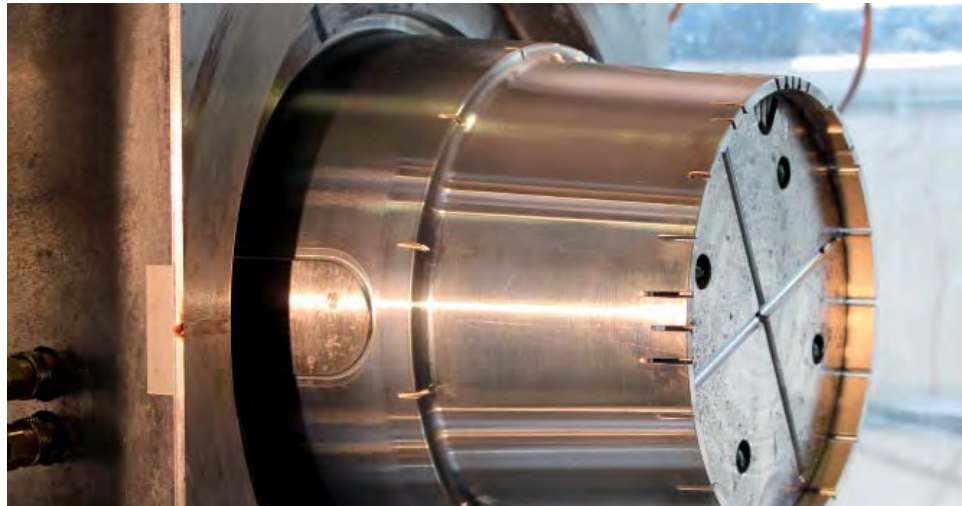
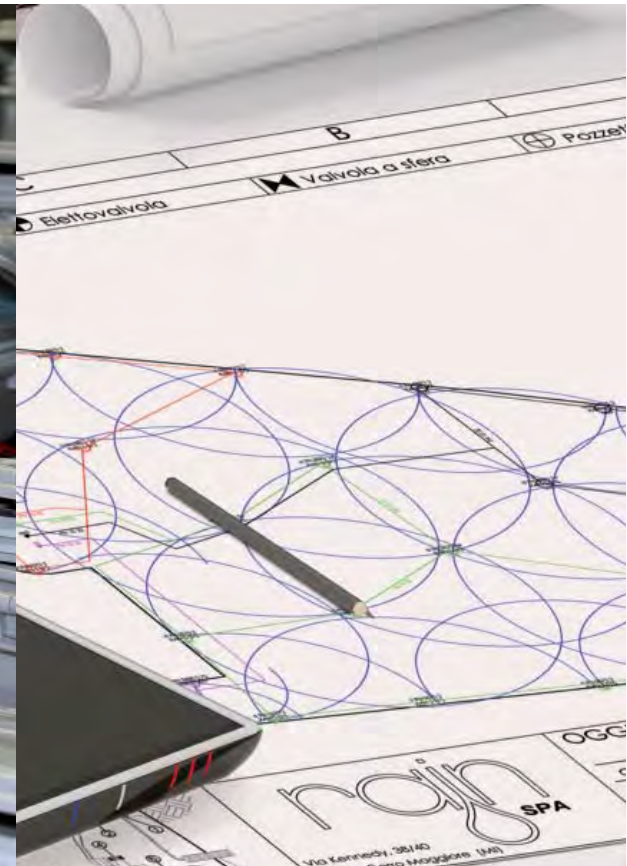
Innovation is at the heart of RAIN.

Our mission is to provide the customer with a high value product, excellent quality at a reasonable price point combining technical specification with ease of use.

Our customer service policy follows the customer from point of purchase to installation. Our technical staff are on hand to help with design, technical advice and installation.

INNOVATIVE IRRIGATION SYSTEMS





DESIGN&PRODUCTION

RAIN is an established and respected manufacturer in the Irrigation field. Since the first controller in the seventies, to the first electric valve in the eighties RAIN has continued to strive to be the best at product design and functionality. The seamless link between market research and product development combined with continual investment and focus has enabled RAIN to launch successful and exciting new products year on year. Rain holds 10 worldwide patents from controllers to electric valve unions.

The Cerro Maggiore facility hosts a large production site staffed by highly skilled personnel and state of the art automated engineering including injection moulding, assembly and control tests. Automation allows for higher production efficiency without compromising product consistency. The speed of production means that RAIN can respond to customer needs within days.

Product quality is at the forefront of production. Every product undergoes rigorous testing procedures and is constantly monitored by an internal on line system giving real time production status. To give an insight into quality procedure, all electric valves are tested using high and low static pressure to check opening and closing mechanism and waterproof battery controllers are submerged under water for 48 hours before starting the final working test.



fliwer *s-dial smart*

Weather forecast

Light

Air humidity

Plant species

Temperature

TOUCHSCREEN

24 Vac



DIAL CONTROL



6 STATIONS **9** STATIONS **12** STATIONS **16** STATIONS

S-DIAL smart

TOUCHSCREEN
ADVANCED
GRAPHIC DISPLAY

Programmatore elettronico dual mode
Dual mode electronic controller
Programmeur d'arrosage double mode
Programador electrónico doble modo

3 PROGRAM WITH 3 SIMPLE STEPS

1 START TIME 2 DURATION 3 FREQUENCY

DUALMODE



THE REAL
SMART
IRRIGATION



Soil moisture

Fertilization



w-dial

waterproof

fliwer

3 STEPS



DIAL CONTROL



1 STATION **2** STATIONS **4** STATIONS **6** STATIONS

DESCRIPTION

W-Dial (Waterproof Dial) is the ultimate IP68 controller.

W-Dial is the easiest IP68 controller to program due to the multidirectional dial.

The controller has 4 programs and can be installed in the valve boxes and in location where there is no electric supply.

On top of traditional features, W-Dial bridges tradition to future.

In fact, it is possible to upgrade the functionality of the irrigation installation thanks to the fact that it is FLIWER COMPATIBLE, both sensor and platform through the link.

It means that it is possible to connect W-Dial to a Fliwer Sensor or to a Link in order to manage remotely the irrigation and save water (at least 50%) through the Fliwer technology.

FLEXIBLE USER-FRIENDLY PROGRAMMING

- 1, 2, 4 and 6 Zones
- Battery powered
- 4 independent programs
- 3 independent start times per each program
- 12 daily start-times
- Independent irrigation duration
- Weekly calendar
- Run time min/max: 1/240 minutes
- Freeze-program function
- Low-battery function

RELIABLE SOLUTION TO IRRIGATE IN REMOTE LOCATIONS

- Body in ABS
- Double OR seal
- Fully waterproof IP68
- Sensor connection
- Compatible with mechanical sensor
- Sensor active indicator
- Waterproof valve connection
- Operating 9 VDC latching solenoids only
- Solenoid wire length up to 30 m
- FLIWER compatible



Weather forecast

Light

Air humidity



Plant species



Temperature



fliwer

Soil moisture



Fertilization

TBD

true bluetooth device
waterproof



1

STATION

2

STATIONS

4

STATIONS

6

STATIONS



DESCRIPTION

With an IP68 rating, TBD modules are designed for installation in a valve box. Available in 1, 2, 4 and 6 stations, they are easy to program with a Smartphone (iOS or Android).

FLEXIBLE USER-FRIENDLY PROGRAMMING

- 1, 2, 4 and 6 Zones
- Battery powered
- 4 independent programs
- 3 independent start times per each program
- 12 daily start-times
- Independent irrigation duration
- Weekly calendar
- Run time min/max: 1/240 minutes
- Freeze-program function
- Low-battery function

RELIABLE SOLUTION TO IRRIGATE IN REMOTE LOCATIONS

- Available in 1, 2, 4, 6 zones versions
- Ultrasonic welded ABS housing
- Bluetooth Low Energy Communication
- Rated IP68: 100% waterproof and fully submersible
- Waterproof connection for all Rain's solenoid valves 9 Vdc
- Power supply: 2 x 1.5 Volt (AA)
- Rain Sensor connection
- Provided with holder for Rain's valve boxes or Rain's latching solenoids
- Bluetooth range: about 10 meters Electrical
- Maximum distance between the module and solenoid is 30 m with 1,5mm² wire size



La semplicità in 1 click!
Simplicity in 1 click!



Click

Click Plus



Click Bluetooth®

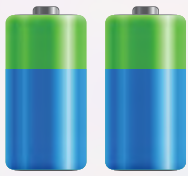
Click Mist



- Centralina da rubinetto per microirrigazione
- Tasto multifunzione Click
- Numeri di settori 1
- Connessione rubinetto con ghiera da 1" F e riduzione 3/4" F
- Uscita filettata 3/4" M
- Alimentata con 2 batterie AAA 1.5V Alcaline
- Materiale di fabbricazione ABS
- Alloggiamento batterie con OR di tenuta
- Elettrovalvola a membrana
- Pressione minima di utilizzo 1.0 bar
- Pressione massima di utilizzo 5.0 bar
- Portata da 10 l/min a 35 l/min

- Timer for Micro-irrigation by tap
- Multifunction button Click
- Number of sector 1
- Plastic Swivel connector for tap 1" F and reduction of 3/4" F
- Output Threaded of 3/4" M
- Powered by 2 AAA 1,5V Alkaline batteries
- ABS case
- Battery compartment with O-Ring
- Solenoid valve membrane
- Working water pressure: 1.0 bar to 5.0 bar
- Maximum water flow: 35 l/min

- Programador de grifo para microriego
- Botón multifunción Click
- Números de sectores 1
- Conexión al grifo con entrada rosca 1" F y reducción 3/4" F
- Salida de rosca 3/4" M
- Alimentada por 2 batería AAA de 1,5 V alcalinas
- Material de fabricación ABS
- Compartimiento de baterías con junta tórica;
- Electroválvula de diafragma
- Presión mínima de utilizzo 1.0 bar
- Presión máxima de utilizzo 5.0 bar
- Caudal desde 10 l/min hasta 35 l/min



CLICK

Tap Timer

DESCRIPTION

Rain Click is the most simple and extremely easy to set allow to control irrigation on your balcony, little garden. The only thing you have to do is to choose the combination of frequency and duration of your irrigation cycle. Programming has never been so easy and fast!

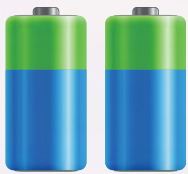
COMPLETE USER-FRIENDLY PROGRAMMING

- 12 programs
- Run time: 2 min, 5 min, 10 min and 15 min.
- Frequency every: 12 h, 24 h and 48 h
- Low battery function

TECHNICAL CHARACTERISTICS

- 1 zone
- Inlet thread 3/4"-1"
- Outlet thread 3/4"
- Min flow 5 l/min
- Max flow 25 l/min
- Min bar 1.0 bar
- Max bar 4.0 bar
- Diaphragm 9 VDC electric valve
- ABS Body
- Powered by 2 alkaline 1.5 volt (AAA)

Code	Models	Box Qty	Box - cm
200.6800100	CLICK - Tap Timer	8	15 x 23 x 29



CLICK PLUS

Tap Timer

DESCRIPTION

Rain Click Plus is the evolution of the Rain Click. Extremely easy to set allow to control irrigation on your balcony or small garden. The only thing you have to do is to set the frequency and the duration and automatically the controllers will repeat the cycle you decide. Rain Click Plus has a built in delay function to give you even more flexibility to start irrigation cycle.

COMPLETE USER-FRIENDLY PROGRAMMING

- 12 programs
- Run time: 2 min, 5 min, 10 min and 15 min.
- Frequency every: 12 h, 24 h and 48 h
- **Select delay first start time**
- Low battery function

TECHNICAL CHARACTERISTICS

- 1 zone
- Inlet thread 3/4"-1"
- Outlet thread 3/4"
- Min flow 5 l/min
- Max flow 25 l/min
- Min bar 1.0 bar
- Max bar 4.0 bar
- Diaphragm 9 VDC electric valve
- ABS Body
- Powered by 2 alkaline 1.5 volt (AAA)

Code	Models	Box Qty	Box - cm
200.6800200	CLICK PLUS - Tap Timer	8	15 x 23 x 29

CLICK BLUETOOTH

Tap Timer

DESCRIPTION

Rain Click Bluetooth is the connected evolution of the Rain Click. It is extremely easy to set as a normal click manually but also through a smart phone with an easy and dedicated APP. The APP allows setting a specific start time and choosing between the pre-set programs.

COMPLETE USER-FRIENDLY PROGRAMMING

- 12 programs
- Run time: 2 min, 5 min, 10 min and 15 min.
- Frequency every: 12 h, 24 h and 48 h
- Controlled by App (Android and iPhone)
- Start time
- Low battery function

TECHNICAL CHARACTERISTICS

- 1 zone
- Inlet thread 3/4" - 1"
- Outlet thread 3/4"
- Min flow 5 l/min
- Max flow 25 l/min
- Min bar 1.0 bar
- Max bar 4.0 bar
- Diaphragm 9 VDC electric valve
- ABS Body
- Powered by 2 alkaline 1.5 volt (AAA)

Code	Models	Box Qt.y	Box - cm
200.6800300	CLICK BLUETOOTH- Tap Timer	8	15 x 23 x 29



CLICK MIST

Tap Timer

DESCRIPTION

Rain Click Mist is the perfect solution for misting applications. Programs are quick cycles of misting with small intervals, studied specifically to refresh during the hot season.

COMPLETE USER-FRIENDLY PROGRAMMING

- 12 programs
- Run time: 5 sec, 10 sec, 20 sec and 30 sec.
- Frequency every: 1 min, 2 min and 5 min
- Low battery function

TECHNICAL CHARACTERISTICS

- 1 zone
- Inlet thread 3/4" - 1"
- Outlet thread 3/4"
- Min flow 5 l/min
- Max flow 25 l/min
- Min bar 1.0 bar
- Max bar 4.0 bar
- Diaphragm 9 VDC electric valve
- ABS Body
- Powered by 2 alkaline 1.5 volt (AAA)

Code	Models	Box Qt.y	Box - cm
200.6800400	CLICK MIST - Tap Timer	8	15 x 23 x 29



AMICO+ AMICO+2

TAP TIMER

PROGRAMMATORE ELETTRONICO A BATTERIA ELECTRONIC TAP TIMER PROGRAMADOR ELECTRÓNICO DE TORNEIRA

3

IRRIGARE IN 3 SEMPLICI MOSSE.
PROGRAM WITH 3 SIMPLE STEPS.
RIEGO EN 3 SIMPLES PASOS.

1

**A CHE ORA
START TIME
QUE HORAS**

Imposta l'ora
d'inizio.

Set start time.

Que horas.

2

**DURATA
DURATION
DURAÇÃO**

Seleziona la durata
dell'irrigazione.

Set duration.

Duração.

3

**OGNI QUANTO
FREQUENCY
QUANTAS VEZES**

Seleziona la frequenza
dell'irrigazione.

Set water frequency.

Quantas vezes.



DISPLAY LUMINOSO
PER VISIONE NOTTURNA

BACKLIT DISPLAY

PANTALLA ILUMINADA
PARA MEJOR LECTURA



AMICO+

AMICO+2



CENTRALINA ELETTRONICA
SEPARABILE DALL'ELETTOVALVOLA
ELECTRONIC PROGRAMMER DETACHABLE
FROM VALVE FOR EASE OF PROGRAMMING
PROGRAMADOR ELECTRÓNICO
SEPARABLE DE LA ELECTROVÁLVULA

CARATTERISTICHE

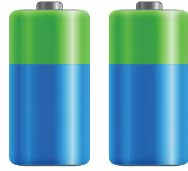
- Settori: 1 (AMICO+) o 2 (AMICO2+)
- Attacco da rubinetto Ø 1" - 3/4" F
- Uscita 3/4" M + attacco rapido
- Elettrovalvola a membrana
- Alimentazione a pile (2 x AA 1.5V)
- Schermo retro illuminato
- Consolle elettronica removibile
- Scocca in ABS
- Coperchio di protezione
- Vano batterie con OR di tenuta
- Pressione utilizzo 1.0 - 6.0 bar
- Portata massima 40 l/min
- Durata irrigazione 1 - 240 min
- Frequenza irrigazione max. ogni 6 h
- Frequenza irrigazione min. ogni 15 gg
- Utilizzare solo con acqua fredda

CHARACTERISTICS

- Outlets: 1 (AMICO+) or 2 (AMICO2+)
- Inlet thread Ø 1" - 3/4" F
- Output 3/4" M + quick connector
- Diaphragm electric valve
- Battery powered (2 x AA 1.5V)
- Backlit screen
- Removable electronic console
- ABS body
- Protective cover
- Battery cover with O-ring seal
- Use pressure 1.0 - 6.0 bar
- Maximum flow 40 l/min
- Watering duration from 1 to 240 min
- Irrigation frequency max. every 6 h
- Irrigation frequency min. every 15 days
- Use only cold water

CARACTERÍSTICAS

- Salidas: 1 (AMICO+) o 2 (AMICO2+)
- Entrada rosca hembra de Ø 1" y 3/4" F
- Salida 3/4" M + enlace rápido
- Diafragma electrovalvula
- Con pilas (2 x 1,5 V AA)
- Pantalla retroiluminada
- Consola electrónica extraíble
- Cuerpo de ABS
- Cubierta protectora
- Tapa de la batería con la junta tórica
- El uso de presión desde 1,0 hasta 6,0 bar
- Caudal máximo 40 l/min
- Riego duración entre 1 y 240 min
- Riego de frecuencia máx. cada 6 h
- Min. de frecuencia de riego cada 15 días
- Utilice sólo agua fría



AMICO +

Tap Timer

DESCRIPTION

Amico +™ tap timer has been studied to be the most user friendly and a high quality product in the market. Programming has never been so easy, the large display 3" allows to see all the data in one look. The backlit display and the large characters allow to program the controller during the day and the night.

COMPLETE USER-FRIENDLY PROGRAMMING

- 1 program
- Run time min/max: 1/240 minutes
- Watering frequency: from every 6 hours up to once 15 days
- Current time indication
- Start time indication
- Duration of watering indication
- Frequency indication
- Next irrigation indication
- Watering countdown
- Low battery function

TECHNICAL CHARACTERISTICS

- 1 zone
- Inlet thread 3/4"-1"
- Outlet thread 3/4"
- Max working pressure 6 bars
- Min flow 5 l/min
- Max flow 40 l/min
- Min bar 1.0 bar
- Diaphragm 9 VDC electric valve
- Removable control unit
- ABS Body
- Hard plastic cover for LDC display protection
- Wide backlit 3" LCD display
- Powered by 2 alkaline 1.5 volt (AA)

1. REMOVABLE CONTROL UNIT



3. 3" BACKLIT LCD DISPLAY



2. EASY READABLE SCREEN POSITION



4. PROGRAMMING BOTTONS



3 PROGRAM WITH 3 SIMPLE STEPS.

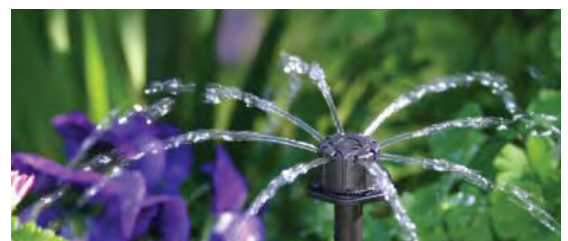
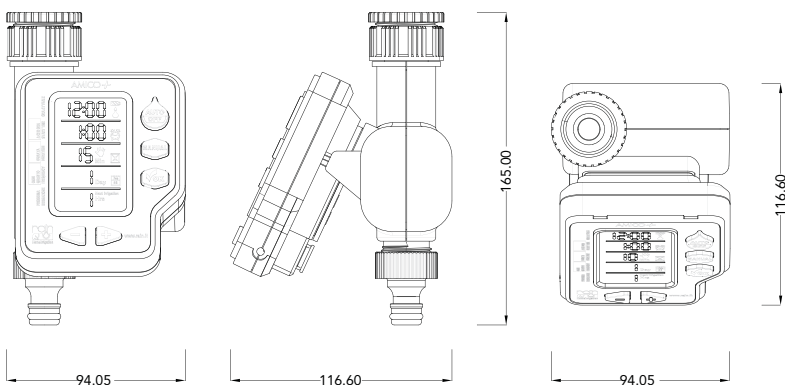


PRO PACK



HOME PACK

Code	Models	Box Qt.y	Box - cm
200.4094501	AMICO+ (with French label) HOME PACK	4	36x21x15
200.4094502	AMICO+ (with English label) HOME PACK	4	36x21x15
200.4094503	AMICO+ (with Spanish label) HOME PACK	4	36x21x15
200.4094504	AMICO+ (with Greek label) HOME PACK	4	36x21x15
200.4094505	AMICO+ (with Turkey label) HOME PACK	4	36x21x15
200.4094500	AMICO+ (with Italian label) HOME PACK	4	36x21x15
200.4094700	AMICO+ (with English label) PRO PACK	24	41x41x31
200.4094520	ELECTRIC VALVE AMICO + (spare part)	n.a.	n.a.



TAP TIMERS

BATTERY CONTROLLERS

24 VAC CONTROLLERS

SENSORS

ELECTRIC VALVES

SPRINKLERS

FITTINGS

ACCESSORIES

AGRICULTURE



AMICO +2

Tap Timer

DESCRIPTION

Amico 2 +™ tap timer has been studied to be the most user friendly and a high quality product in the market. Using the same programming of Amico +, Amico 2 + allows to set 2 different valves completely independent. The backlit display allows to program the controller during the day and the night without problems.

COMPLETE USER-FRIENDLY PROGRAMMING

- 1 program
- Run time min/max: 1/240 minutes
- Watering frequency: from every 6 hours up to once 15 days
- Current time indication
- Start time indication
- Duration of watering indication
- Frequency indication
- Next irrigation indication
- Watering countdown
- Low battery function

TECHNICAL CHARACTERISTICS

- 2 zone
- Inlet thread 3/4"-1"
- Outlet thread 3/4"
- Max working pressure 6 bars
- Min flow 5 l/min
- Max flow 40 l/min
- Min bar 1.0 bar
- Diaphragm 9 VDC electric valve
- Removable control unit
- ABS Body
- Hard plastic cover for LDC display protection
- Wide backlit 3" LCD display
- Powered by 2 alkaline 1.5 volt (AA)

1. REMOVABLE CONTROL UNIT



2. EASY READABLE SCREEN POSITION



3. 3" BACKLIT LCD DISPLAY



4. PROGRAMMING BUTTONS



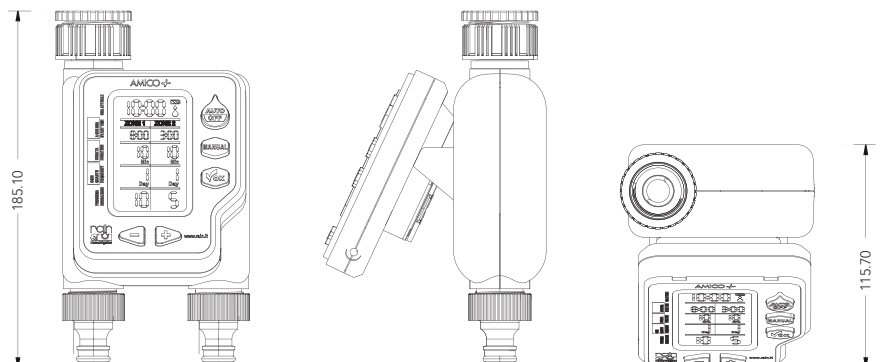
3 PROGRAM WITH 3 SIMPLE STEPS.



HOME PACK



Code	Models	Box Qty	Box - cm
200.4044500	AMICO 2 + (with Italian label) HOME PACK	3	36x21x15
200.4044501	AMICO 2 + (with French label) HOME PACK	3	36x21x15
200.4044502	AMICO 2 + (with English label) HOME PACK	3	36x21x15
200.4044503	AMICO 2 + (with Spanish label) HOME PACK	3	36x21x15
200.4044505	AMICO 2 + (with Turkey label) HOME PACK	3	36x21x15
200.4044600	AMICO 2 + (with Hebrew label) HOME PACK	3	36x21x15
200.4044520	ELECTRIC VALVE AMICO + 2 (spare part)	n.a.	n.a.





AMICO PRO 9VDC IP68

Battery Controller

DESCRIPTION

Amico PRO has been studied to be the most user friendly and a high quality product in the market. Programming has never been so easy, the large display 3" allows to see all the data in one look. The backlit display and the large characters allow to program the controller during the day and the night.

COMPLETE USER-FRIENDLY PROGRAMMING

- 1, 2 and 4 zones
- 2 programs
- Run time min/max: 1/240 minutes
- Watering frequency: from every 6 hours up to once 15 days
- Current time indication
- Start time indication
- Duration of watering indication
- Frequency indication
- Next irrigation indication
- Watering countdown
- Wide backlit 3" LCD display
- Low battery function
- Powered by 2 alkaline 1.5 volt (AA)



Code	Models	Box Qt.y	Box - cm
200.4064500	AMICO PRO - 1 ZONE (English label)	10	30x26x22
200.4064200	RAIN AMICO PRO 2 2 ZONES (English label)	10	30x26x22
200.4064400	RAIN AMICO PRO 4 4 ZONES (English label)	10	30x26x22

1. PROGRAMMING BOTTONS



3. 3" BACKLIT LCD DISPLAY



2. EASY READABLE SCREEN POSITION



Code	Models	Box Qt.y	Box - cm
200.4064590	AMICO PRO - 1 ZONE (English label) with electric valve RN 150 1" F	8	36x33x32
200.4064560	AMICO PRO - 1 ZONE (English label) with electric valve RN 150 1" MxUN	8	36x33x32

200.4064400 RAIN AMICO PRO 4

3 PROGRAM WITH 3 SIMPLE STEPS.

- 1 START TIME
- 2 DURATION
- 3 FREQUENCY



TAP TIMERS

BATTERY CONTROLLERS

24 VAC CONTROLLERS

SENSORS

ELECTRIC VALVES

SPRINKLERS

FITTINGS

ACCESSORIES

AGRICULTURE



W-DIAL 9VDC IP68



Battery Controller



DESCRIPTION

W-Dial (Waterproof Dial) is the ultimate IP68 controller. W-Dial is the easiest IP68 controller to program due to the multidirectional dial.

The controller has 4 programs and can be installed in the valve boxes and in location where there is no electric supply. On top of traditional features, W-Dial bridges tradition to future. In fact, it is possible to upgrade the functionality of the irrigation installation thanks to the fact that it is FLIWER COMPATIBLE, both sensor and platform through the link.

It means that it is possible to connect W-Dial to a Fliwer Sensor or to a Link in order to manage remotely the irrigation and save water (at least 50%) through the Fliwer technology.

FLEXIBLE USER-FRIENDLY PROGRAMMING

- 1, 2, 4 and 6 Zones
- Battery powered
- 4 independent programs
- 3 independent start times per each program
- 12 daily start-times
- Independent irrigation duration
- Weekly calendar
- Run time min/max: 1/240 minutes
- Freeze-program function
- Low-battery function

RELIABLE SOLUTION TO IRRIGATE IN REMOTE LOCATIONS

- Body in ABS
- Double OR seal
- Fully waterproof IP68
- Sensor connection
- Compatible with mechanical sensor
- Sensor active indicator
- Waterproof valve connection
- Operating 9 VDC latching solenoids only
- Solenoid wire length up to 30 m
- FLIWER compatible

1. LATCHING SOLENOID

Works with 6-40 VDC latching solenoid cod. 101.3507000



2. 3" LCD DISPLAY



4. BATTERY COMPARTMENT

Double OR seal and cap screw

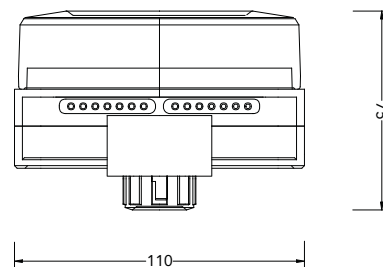
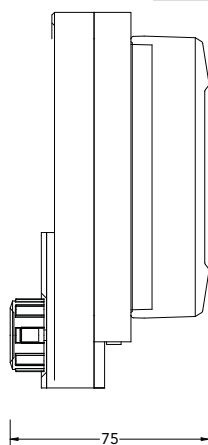
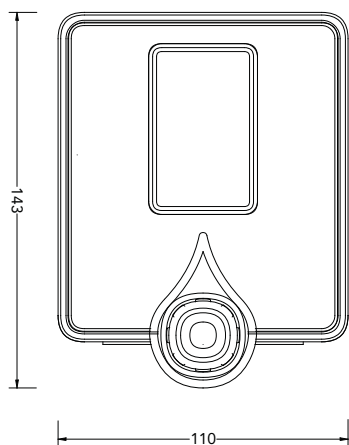


5. PROGRAM

User friendly programming with smart DIAL



Code	Models	Box Qt.y	Box - cm
172.1590000	W-DIAL1 - 1 ZONE (English label) provided with latching solenoid	12	36x33x32
172.1590900	W-DIAL1 - 1 ZONE (English label) with electric valve RN 150 1" F	n.a.	n.a.
172.1590915	W-DIAL1 - 1 ZONE (English label) with electric valve RN 150 1" MxUN	n.a.	n.a.
172.2590000	W-DIAL2 - 2 ZONES (English label)	12	36x33x32
172.4590000	W-DIAL4 - 4 ZONES (English label)	12	36x33x32
172.6590000	W-DIAL6 - 6 ZONES (English label)	12	36x33x32





TBD 9VDC IP68

Battery Controller BLUETOOTH

DESCRIPTION

With an IP68 rating, TBD modules are designed for installation in a valve box. Available in 1, 2, 4 and 6 stations, they are easy to program with a Smartphone (iOS or Android).

FLEXIBLE USER-FRIENDLY PROGRAMMING

- 1, 2, 4 and 6 Zones
- Battery powered
- Ultrasonic welded ABS body
- Battery case with O-Ring
- For 9 VDC latching solenoids
- Fully waterproof (IP 68)
- Rain Sensor connection wires
- 3 different programming methods:
 - > By Program A-B-C (with 4 start times per program)
 - > By Valve (1 duration setting and 4 start times)
 - > By Valve program (4 durations and start times settings)
- Run Times: from 1 min. to 1 full day per station
- Complex alarm system

RELIABLE SOLUTION TO IRRIGATE IN REMOTE LOCATIONS

- Available in 1, 2, 4, 6 zones versions
- Ultrasonic welded ABS housing
- Bluetooth Low Energy Communication
- Rated IP68: 100% waterproof and fully submersible
- Waterproof connection for all Rain's solenoid valves 9 Vdc
- Power supply: 2 x 1.5 Volt (AA)
- Rain Sensor connection
- Provided with holder for Rain's valve boxes or Rain's latching solenoids
- Bluetooth range: about 10 meters Electrical
- Maximum distance between the module and solenoid is 30 m with 1,5mm² wire size

1. LATCHING SOLENOID

Works with 6-40 VDC latching solenoid cod. 101.3507000



2. APP



3. BATTERY COMPARTMENT

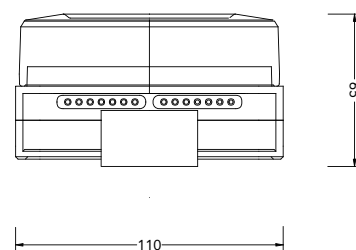
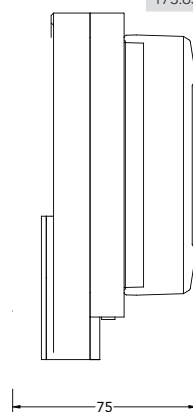
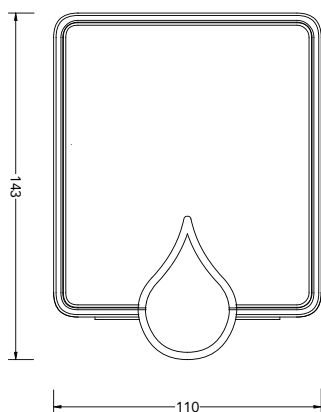
Double OR seal and cap screw



4. BLUETOOTH CONNECTION



Code	Models	Box Qt.y	Box - cm
173.1590000	TBD 1 - 1 ZONE provided with latching solenoid	12	36x33x32
173.1500900	TBD 1 - 1 ZONE with electric valve RN 150 1" F	n.a.	n.a.
173.1500915	TBD 1 - 1 ZONE with electric valve RN 150 1" MxUN	n.a.	n.a.
173.2500000	TBD 2 - 2 ZONES	12	36x33x32
173.4500000	TBD 4 - 4 ZONES	12	36x33x32
173.6500000	TBD 6 - 6 ZONES	12	36x33x32



TAP TIMERS

BATTERY CONTROLLERS

24 VAC CONTROLLERS

SENSORS

ELECTRIC VALVES

SPRINKLERS

FITTINGS

ACCESSORIES

AGRICULTURE



C-DIAL PRO 9VDC INDOOR



Controller

DESCRIPTION

C-DIAL is a new and unique electronic controller 4-6 station indoor for residential application. The C-dial family is available at the same price both 24 VAC or 9 VDC solenoid. It follows the Rain's controllers philosophy and it allows to easily set the programming in 3 steps: start time, duration, frequency.

TECHNICAL CHARACTERISTICS

- 4 - 6 stations models
- Indoor Model
- Operating 9 VDC latching solenoids only
- Electrical Power Supply 4 x 1.5 volt AA alkaline batteries (not included)
- **2 independent programs**
- **4 START TIMES - 2 per each program**
- Run Times: 1 min. to 240 min per station
- Next start time visualization
- Watering cycles: from 2 per day, up to 1 per week
- Watering Schedule: 7 day calendar
- Water Budgeting Mode from 10% to 200%
- Rain Sensor Inlet
- Freeze-program function (OFF)
- Low-battery function
- Permanent Memory. It saves programs also without power

1. NEW PROGRAMING METHOD



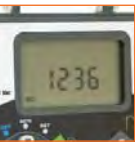
3. COVER



2. BATTERY COMPARTMENT



4. LCD SCREEN



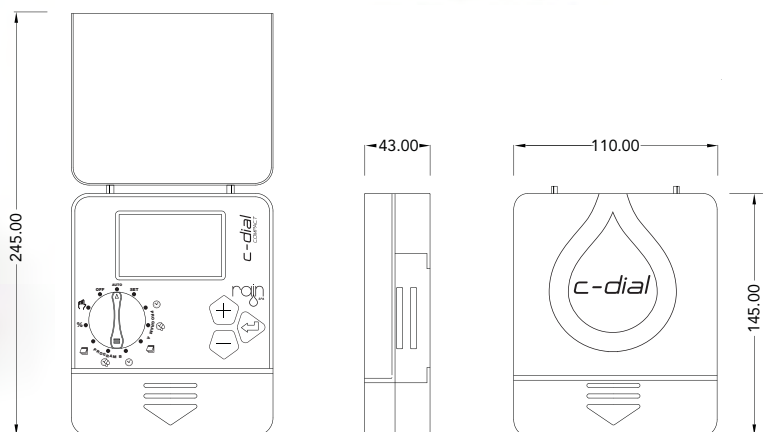
3 PROGRAM WITH 3 SIMPLE STEPS.



Code	Models	Box Qt.y	Box - cm
200.4181410	C-DIAL 4 PRO 9 VOLT 4 ZONES INDOOR PRO PACK	8	36x21x15
200.4181610	C-DIAL 6 PRO 9 VOLT 6 ZONES INDOOR PRO PACK	8	36x21x15



PRO PACK





C-DIAL HOME 9VDC INDOOR

Controller

DESCRIPTION

C-DIAL is a new and unique electronic controller 4-6 station indoor for residential application. The C-dial family is available at the same price both 24 VAC or 9 VDC solenoid.

It follows the Rain's controllers philosophy and it allows to easily set the programming in 3 steps: start time, duration, frequency.

TECHNICAL CHARACTERISTICS

- 4 - 6 stations models
- Indoor Model
- Operating 9 VDC latching solenoids only
- Electrical Power Supply 4 x 1.5 volt AA alkaline batteries (not included)
- **2 independent programs**
- **2 START TIMES - 1 per each program**
- Run Times: 1 min. to 240 min per station
- Next start time visualization
- Watering cycles: from 2 per day, up to 1 per week
- Watering Schedule: 7 day calendar
- Water Budgeting Mode from 10% to 200%
- Rain Sensor Inlet
- Freeze-program function (OFF)
- Low-battery function
- Permanent Memory. It saves programs also without power

Code	Models	Box Qt.y	Box - cm
300.4181410	C-DIAL 4 HOME 9 VOLT 4 ZONES INDOOR HOME PACK	8	36x21x15
300.4181610	C-DIAL 6 HOME 9 VOLT 6 ZONES INDOOR HOME PACK	8	36x21x15



X2



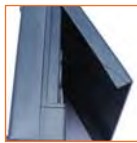
1. NEW PROGRAMING METHOD



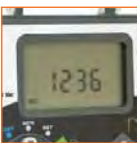
2. BATTERY COMPARTMENT



3. COVER



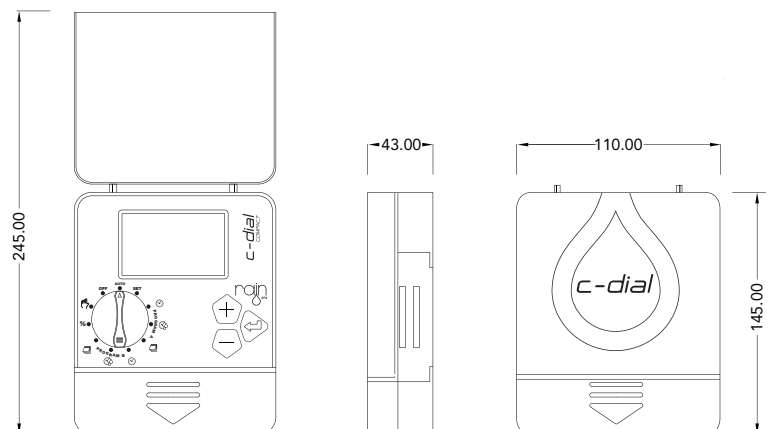
4. LCD SCREEN



3 PROGRAM WITH 3 SIMPLE STEPS.



HOME PACK





4 8
6 10



ELITE INDOOR/ OUTDOOR



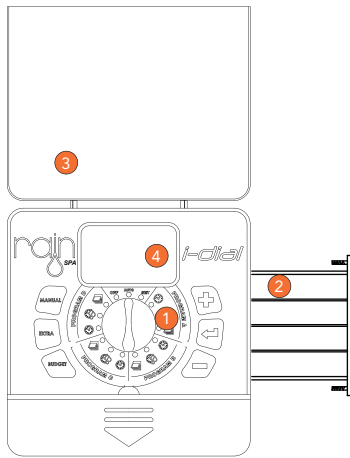
Controller 9 Vdc Latch

DESCRIPTION

ELITE is a new and unique controller 4-6-8-10 stations based on independent zone setting. Each station has independent of start times, durations and frequencies and FERTILIZER settings. If activated the FERTILIZER function generates an extra output for managing the fertilizing system. It works on a percentage (from 10% to 90%) of the duration set on each zone. Each station has 4 start times linked to an independent duration and an independent frequency.

TECHNICAL CHARACTERISTICS

- 4-6-8-10 stations
- Indoor & Outdoor version
- 9 VDC Latching version. 4 x 1.5V AA cells (not included)
- 4 independent programs for each station
- Run Time from 1 to 240 minutes
- Fertilizer Output from 10% to 90% with 10% steps
- Watering Cycles per each station : from 4 per day, up to 1 every 15 days
- Next Start Time Visualization
- Water Budgeting Function. From 10% to 200%
- Rain Sensor Inlet, programmable per each station
- Freeze-Program Function (OFF)
- Wide backlit LCD display
- Low Battery Function
- Permanent Memory. It saves programs also when without power



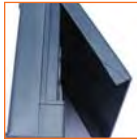
1. NEW PROGRAMING METOD



2. BATTERY COMPARTMENT



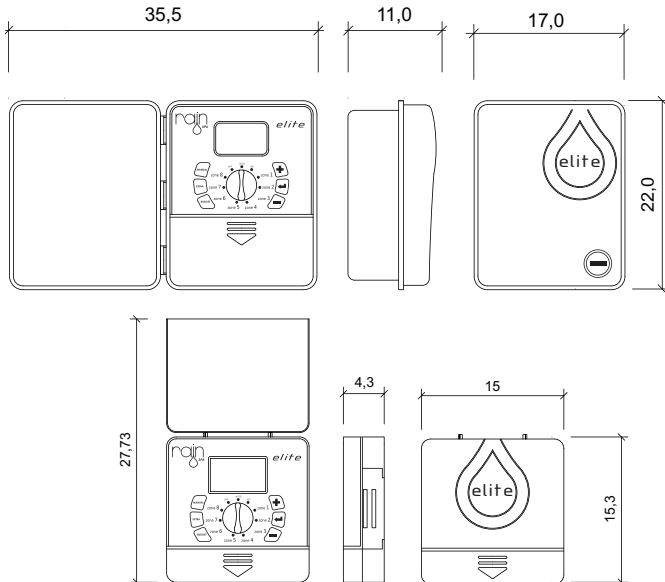
3. COVER



4. BACKLIT LCD SCREEN

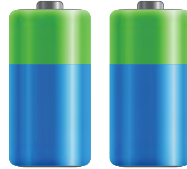


Code	Models	Box Qty	Box - cm
200.4581410	ELITE 4 9 VDC 4 ZONES INDOOR	8	30x26x22
200.4581610	ELITE 6 9 VDC 6 ZONES INDOOR	8	30x26x22
200.4581810	ELITE 8 9 VDC 8 ZONES INDOOR	8	30x26x22
200.4581110	ELITE 10 9 VDC 10 ZONES INDOOR	8	30x26x22
200.4581340	ELITE 4 9 VDC 4 ZONES OUTDOOR	4	36x33x32
200.4581360	ELITE 6 9 VDC 6 ZONES OUTDOOR	4	36x33x32
200.4581380	ELITE 8 9 VDC 8 ZONES OUTDOOR	4	36x33x32
200.4581310	ELITE 10 9 VDC 10 ZONES OUTDOOR	4	36x33x32



OUTDOOR VERSION





I-DIAL 9VDC INDOOR

Controller

DESCRIPTION

I-DIAL is a new and unique electronic controller 4-6-8 station indoor for residential application. The I-dial family is available at the same price both 24 VAC or 9 VDC solenoid. It follows the Rain's controllers philosophy and it allows to easily set the programming in 3 steps: start time, duration, frequency.

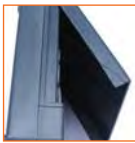
TECHNICAL CHARACTERISTICS

- 4 - 6 - 8 stations models
- Indoor Model
- Operating 9 VDC latching solenoids only
- Electrical Power Supply 4 x 1.5 volt AA alkaline batteries (not included)
- 4 independent programs
- 4 independent start times (1 per each program)
- Run Times: 1 min. to 240 min per station
- Next start time visualization
- Watering cycles: from 4 per day, up to 1 each 19 days
- Watering Schedule: 7 day calendar with individual day selection, or 1 to 19 day interval watering
- Water Budgeting Mode from 10% to 200%
- Wide backlit LCD display
- Rain Sensor Inlet, programmable per each station
- Freeze-program function (OFF)
- Low-battery function
- Permanent Memory. It saves programs also without power

1. NEW PROGRAMING METHOD



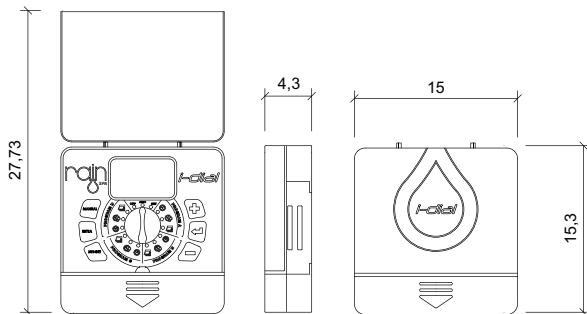
3. COVER



2. BATTERY COMPARTMENT



4. BACKLIT LCD SCREEN



3 PROGRAM WITH 3 SIMPLE STEPS.



Code	Models	Box Qt.y	Box - cm
200.4081410	I-DIAL 4 9 VOLT 4 ZONES INDOOR - PRO PACK	8	30x26x22
200.4081610	I-DIAL 6 9 VOLT 6 ZONES INDOOR - PRO PACK	8	30x26x22
200.4081810	I-DIAL 8 9 VOLT 8 ZONES INDOOR - PRO PACK	8	30x26x22
300.4081410	I-DIAL 4 9 VOLT 4 ZONES INDOOR - HOME PACK	8	30x26x22
300.4081610	I-DIAL 6 9 VOLT 6 ZONES INDOOR - HOME PACK	8	30x26x22
300.4081810	I-DIAL 8 9 VOLT 8 ZONES INDOOR - HOME PACK	8	30x26x22



PRO PACK

TAP TIMERS

BATTERY CONTROLLERS

24 VAC CONTROLLERS

SENSORS

ELECTRIC VALVES

SPRINKLERS

FITTINGS

ACCESSORIES

AGRICULTURE



I-DIAL 9VDC OUTDOOR



Controller

DESCRIPTION

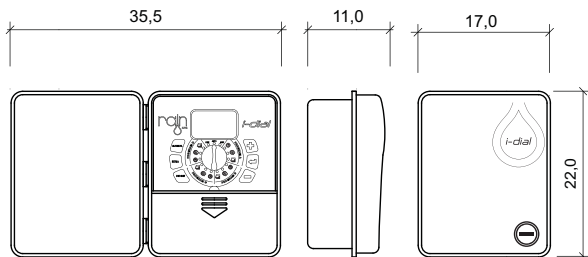
I-DIAL is a new and unique electronic controller 4-6-8 station outdoor for residential application. The I-dial family is available at the same price both 24 VAC or 9 VDC solenoid. It follows the Rain's controllers philosophy and it allows to easily set the programming in 3 steps: start time, duration, frequency.

TECHNICAL CHARACTERISTICS

- 4 - 6 - 8 stations models
- Outdoor Model
- Operating 9 VDC latching solenoids only
- Electrical Power Supply 4 x 1.5 volt AA alkaline batteries (not included)
- 4 independent programs
- 4 independent start times (1 per each program)
- Run Times: 1 min. to 240 min per station
- Next start time visualization
- Watering cycles: from 4 per day, up to 1 each 19 days
- Watering Schedule: 7 day calendar with individual day selection, or 1 to 19 day interval watering
- Water Budgeting Mode from 10% to 200%
- Rain Sensor Inlet, programmable per each station
- Wide backlit LCD display
- Freeze-program function (OFF)
- Low-battery function
- Permanent Memory. It saves programs also without power



<p>1. NEW PROGRAMING METHOD</p>	<p>3. COVER</p>
<p>2. BATTERY COMPARTMENT</p>	<p>4. 3" BACKLIT LCD SCREEN</p>



3 PROGRAM WITH 3 SIMPLE STEPS.



Code	Models	Box Qt.y	Box - cm
200.4081340	I-DIAL 4 9 VOLT 4 ZONES OUTDOOR	4	36x33x32
200.4081360	I-DIAL 6 9 VOLT 6 ZONES OUTDOOR	4	36x33x32
200.4081380	I-DIAL 8 9 VOLT 8 ZONES OUTDOOR	4	36x33x32





C-DIAL PRO 24 VAC INDOOR



Controller

DESCRIPTION

C-DIAL is a new and unique electronic controller 4-6 station indoor for residential application. The C-dial family is available at the same price both 24 VAC or 9 VDC solenoid. It follows the Rain's controllers philosophy and it allows to easily set the programming in 3 steps: start time, duration, frequency.

TECHNICAL CHARACTERISTICS

- 4 – 6 stations models
- Indoor Models with External Transformer
- Electrical Power Supply: 220 VAC 50Hz
- Electrical Outputs: 24 Volts AC, 0,8 AMP
- **2 independent programs**
- **4 start times (2 per each program)**
- Next start time visualization
- Run Times: 1 min. to 240 min per station
- Watering cycles: from 2 per day up to 1 per week
- Watering Schedule: 7 day calendar with individual day selection
- Water Budgeting Mode from 10% to 200%
- Master Valve/Pump 24 VAC outlet
- Power Failure: 2 x 1.5 volt AA alkaline battery permanently maintains programs. (not included)
- Rain Sensor Inlet
- Freeze-program function (OFF)
- Low-battery function
- Pump outlet
- Permanent Memory Saves programs during power outages

1. NEW PROGRAMING METHOD



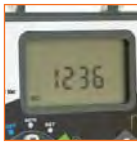
3. COVER



2. BATTERY COMPARTMENT



4. LCD SCREEN



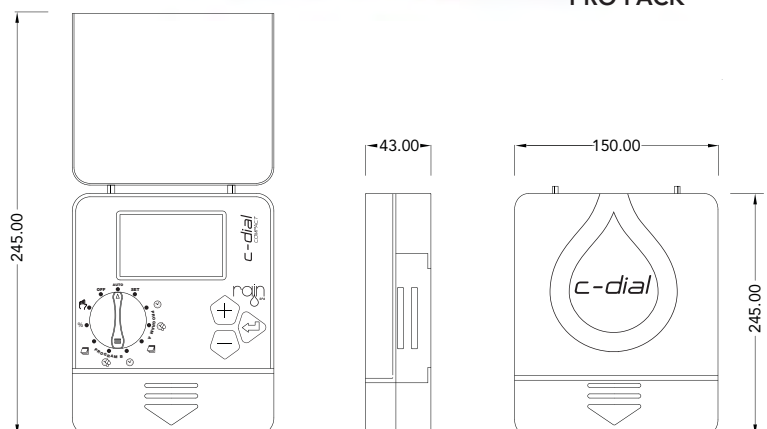
3 PROGRAM WITH 3 SIMPLE STEPS.



Code	Models	Box Qt.y	Box - cm
200.4180410	C-DIAL 4 PRO 24 VOLT 4 ZONES INDOOR PRO PACK	6	=
200.4180610	C-DIAL 6 PRO 24 VOLT 6 ZONES INDOOR PRO PACK	6	=



PRO PACK



TAP TIMERS

BATTERY CONTROLLERS

24 VAC CONTROLLERS

SENSORS

ELECTRIC VALVES

SPRINKLERS

FITTINGS

ACCESSORIES

AGRICULTURE



C-DIAL HOME 24 VAC INDOOR



Controller

DESCRIPTION

C-DIAL is a new and unique electronic controller 4-6 station indoor for residential application. The C-dial family is available at the same price both 24 VAC or 9 VDC solenoid. It follows the Rain's controllers philosophy and it allows to easily set the programming in 3 steps: start time, duration, frequency.

TECHNICAL CHARACTERISTICS

- 4 – 6 stations models
- Indoor Models with External Transformer
- Electrical Power Supply: 220 VAC 50Hz
- Electrical Outputs: 24 Volts AC, 0.8 AMP
- **2 independent programs**
- **2 start times (1 per each program)**
- Next start time visualization
- Run Times: 1 min. to 240 min per station
- Watering cycles: from 2 per day up to 1 per week
- Watering Schedule: 7 day calendar with individual day selection
- Water Budgeting Mode from 10% to 200%
- Master Valve/Pump 24 VAC outlet
- Power Failure: 2 x 1.5 volt AA alkaline battery permanently maintains programs. (not included)
- Rain Sensor Inlet
- Freeze-program function (OFF)
- Low-battery function
- Pump outlet
- Permanent Memory Saves programs during power outages

1. NEW PROGRAMING METHOD



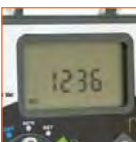
3. COVER



2. BATTERY COMPARTMENT



4. LCD SCREEN



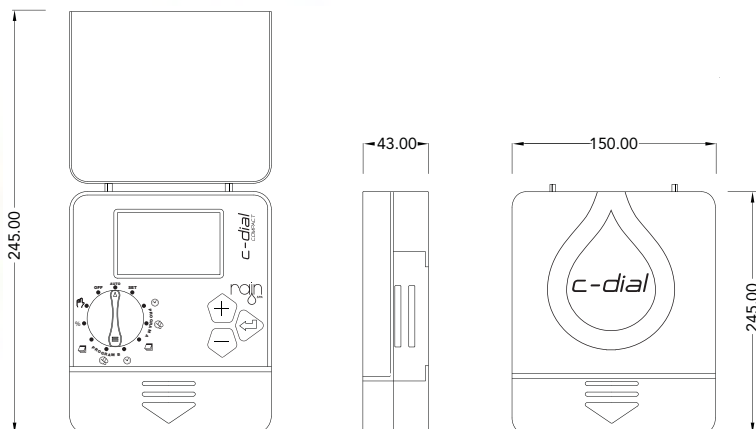
3 PROGRAM WITH 3 SIMPLE STEPS.



Code	Models	Box Qt.y	Box - cm
300.4711400	C-DIAL 4 HOME 24 VOLT 4 ZONES INDOOR HOME PACK	4	=
300.4711600	C-DIAL 6 HOME 24 VOLT 6 ZONES INDOOR HOME PACK	4	=



HOME PACK





I-DIAL 24 VAC INDOOR

Controller

DESCRIPTION

I-DIAL is a new and unique electronic controller 4-6-8 station indoor for residential application. The I-dial family is available at the same price both 24 VAC or 9 VDC solenoid. It follows the Rain's controllers philosophy and it allows to easily set the programming in 3 steps: start time, duration, frequency.

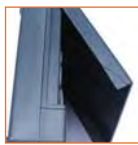
TECHNICAL CHARACTERISTICS

- 4 – 6 - 8 stations models
- Indoor Models with External Transformer
- Electrical Power Supply: 220 VAC 50Hz
- Electrical Outputs: 24 Volts AC, 0.8 AMP
- 4 independent programs
- 4 independent start times (1 per each program)
- Next start time visualization
- Run Times: 1 min. to 240 min per station
- Watering cycles: from 4 per day up to 1 per week
- Watering Schedule: 7 day calendar with individual day selection, or 1 to 19 day interval watering
- Water Budgeting Mode from 10% to 200%
- Master Valve/Pump 24 VAC outlet can be enabled or disabled by station.
- Power Failure: 2 x 1.5 volt AA alkaline battery permanently maintains programs. (not included)
- Rain Sensor Inlet, programmable per each station
- Freeze-program function (OFF)
- Wide backlit LCD display
- Low-battery function
- Pump Start Relay connection enabled
- Permanent Memory Saves programs during power outages

1. NEW PROGRAMING METHOD



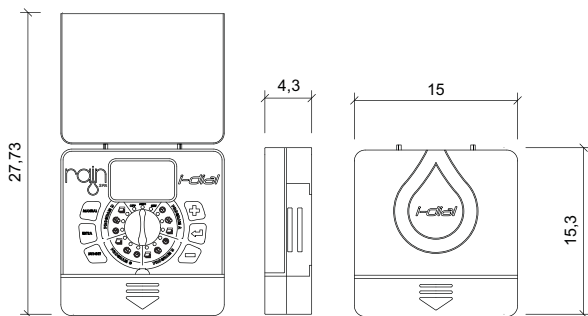
3. COVER



2. BATTERY COMPARTMENT



4. BACKLIT LCD SCREEN



3 PROGRAM WITH 3 SIMPLE STEPS.



Code	Models	Box Qt.y	Box - cm
200.4080410	I-DIAL 4 24 VOLT 4 ZONES INDOOR - PRO PACK	5	30x26x22
200.4080610	I-DIAL 6 24 VOLT 6 ZONES INDOOR - PRO PACK	5	30x26x22
200.4080810	I-DIAL 8 24 VOLT 8 ZONES INDOOR - PRO PACK	5	30x26x22
300.5711400	I-DIAL 4 24 VOLT 4 ZONES INDOOR - HOME PACK	5	30x26x22
300.5711600	I-DIAL 6 24 VOLT 6 ZONES INDOOR - HOME PACK	5	30x26x22
300.5711800	I-DIAL 8 24 VOLT 8 ZONES INDOOR - HOME PACK	5	30x26x22



PRO PACK



TAP TIMERS

BATTERY CONTROLLERS

24 VAC CONTROLLERS

SENSORS

ELECTRIC VALVES

SPRINKLERS

FITTINGS

ACCESSORIES

AGRICULTURE



I-DIAL 24 VAC OUTDOOR

Controller

DESCRIPTION

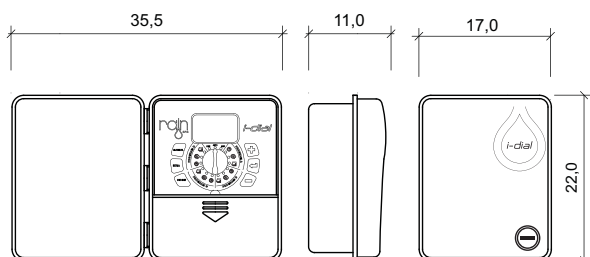
I-DIAL is a new and unique electronic controller 4-6-8 station outdoor for residential application. The I-dial family is available at the same price both 24 VAC or 9 VDC solenoid. It follows the Rain's controllers philosophy and it allows to easily set the programming in 3 steps: start time, duration, frequency.

TECHNICAL CHARACTERISTICS

- 4 – 6 – 8 stations models
- Outdoor Model with Internal Transformer
- Electrical Power Supply: 220 VAC 50Hz
- Electrical Outputs: 24 Volts AC, 1.0 AMP
- 4 independent programs
- 4 independent start times (1 per each program)
- Next start time visualization
- Run Times: 1 min. to 240 min per station
- Watering cycles: from 4 per day up to 1 per week
- Watering Schedule: 7 day calendar with individual day selection, or 1 to 19 day interval watering
- Water Budgeting Mode from 10% to 200%
- Master Valve/Pump 24 VAC outlet can be enabled or disabled by station.
- Power Failure: 2 x 1.5 volt AA alkaline battery permanently maintains programs. (not included)
- Rain Sensor Inlet, programmable per each station
- Freeze-program function (OFF)
- Wide backlit LCD display
- Low-battery function
- Pump Start Relay connection enabled
- Permanent Memory Saves programs during power outages



<p>1. NEW PROGRAMING METHOD</p>	<p>3. COVER</p>
<p>2. BATTERY COMPARTMENT</p>	<p>4. 3" BACKLIT LCD SCREEN</p>



3 PROGRAM WITH 3 SIMPLE STEPS.



Code	Models	Box Qty	Box - cm
200.4083410	I-DIAL 4 24 VOLT 4 ZONES OUTDOOR	4	36x33x32
200.4083610	I-DIAL 6 24 VOLT 6 ZONES OUTDOOR	4	36x33x32
200.4083810	I-DIAL 8 24 VOLT 8 ZONES OUTDOOR	4	36x33x32





4 8
6 10

ELITE INDOOR/ OUTDOOR

Controller 24 Vac



DESCRIPTION

ELITE is a new and unique controller 4-6-8-10 stations based on independent zone setting.

Each station has independent of start times, durations and frequencies and FERTILIZER settings.

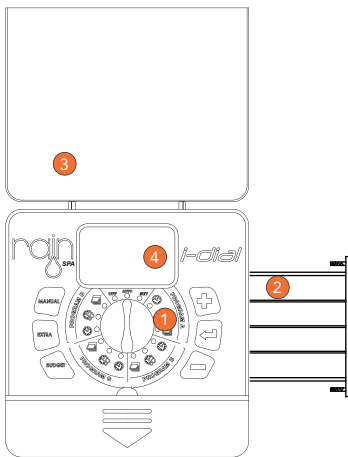
If activated the FERTILIZER function generates an extra output for managing the fertilizing system.

It works on a percentage (from 0% to 90%) of the duration set on each zone.

Each station has 4 start times linked to an independent duration and an independent frequency.

TECHNICAL CHARACTERISTICS

- 4-6-8-10 stations
- Indoor & Outdoor version
- 24 Vac version. Transformer included & 2 x 1.5V AA cells for back up memory (not included)
- Independent program for each station
- 4 start times per each station
- Run Time from 1 to 240 minutes
- Fertilizer Output from 0% to 90% with 10% steps
- Watering Cycles per each station : from 4 per day, up to 1 every 15 days
- Next Start Time Visualization
- Water Budgeting Function. From 10% to 200%
- Rain Sensor Inlet, programmable per each station
- Freeze-Program Function (OFF)
- Wide backlit LCD display
- Low Battery Function
- Permanent Memory. It saves programs also when without power



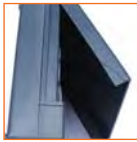
1. NEW PROGRAMING METOD



2. BATTERY COMPARTMENT



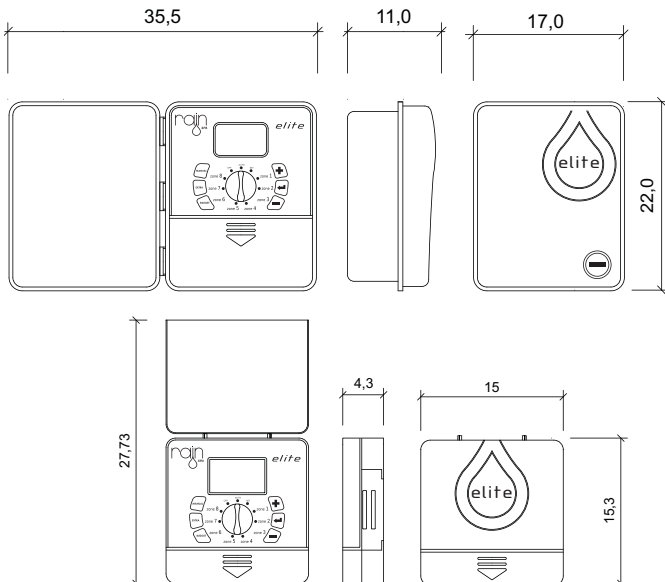
3. COVER



4. BACKLIT LCD SCREEN



Code	Models	Box Qt.y	Box - cm
200.4580410	ELITE 4 24 VAC ZONES INDOOR	5	30x26x22
200.4580610	ELITE 6 24 VAC ZONES INDOOR	5	30x26x22
200.4580810	ELITE 8 24 VAC ZONES INDOOR	5	30x26x22
200.4581010	ELITE 10 24 VAC ZONES INDOOR	5	30x26x22
200.4583410	ELITE 4 24 VAC ZONES OUTDOOR	4	36x33x32
200.4583610	ELITE 6 24 VAC ZONES OUTDOOR	4	36x33x32
200.4583810	ELITE 8 24 VAC ZONES OUTDOOR	4	36x33x32
200.4583110	ELITE 10 24 VAC ZONES OUTDOOR	4	36x33x32



TAP TIMERS

BATTERY CONTROLLERS

24 VAC CONTROLLERS

SENSORS

ELECTRIC VALVES

SPRINKLERS

FITTINGS

ACCESSORIES

AGRICULTURE



S-DIAL OUTDOOR

Controller 24 Vac

DESCRIPTION

S-Dial (Smart Dial) is a unique controller that bridges tradition to future.

Thanks to a graphic display is possible to see all the programs and the setting of the controller in a clear and user-friendly way.

The controller has 4 programs and can be installed indoor or outdoor.

Using S-Dial it's possible to upgrade the functionality of the irrigation installation thanks to the fact that it is FLIWER COMPATIBLE.

It means that it is possible to connect S-Dial to Fliwer Sensor or to a Link in order to manage remotely the irrigation and save water (at least 50%) through the Fliwer technology.

TIMER MODE - following the traditional way to program irrigation controllers

FLIWER MODE - being totally managed by the artificial intelligence of Fliwer system

TECHNICAL CHARACTERISTICS

- Advanced graphic display touchscreen
- Available in 6, 9, 12, 16 zones versions
- Waterproof connection to 220V power
- Backup battery
- Radio connection to Fliwer system
- Rain Sensor connection
- Pump start
- Hard and transparent plastic cover
- Number of programs: 4
- Start times per program: 2
- Watering duration: 1 to 240 minutes
- Weekly calendar or frequency by interval
- Sophisticated manual start
- Irrigation time remaining indication
- Summary screen of the programs



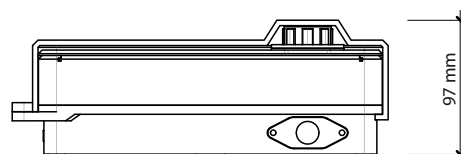
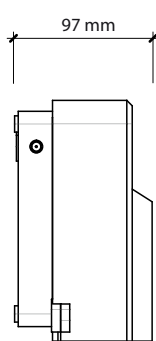
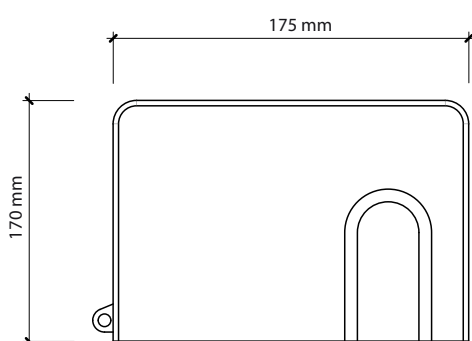
1. QUICK CONNECTION



2. LOCK



Code	Models	Box Qt.y	Box - cm
200.5800600	S-DIAL 6 24 VAC 6 ZONES OUTDOOR	n.a.	n.a.
200.5800900	S-DIAL 9 24 VAC 9 ZONES OUTDOOR	n.a.	n.a.
200.5801200	S-DIAL 12 24 VAC 12 ZONES OUTDOOR	n.a.	n.a.
200.5801600	S-DIAL 16 24 VAC 16 ZONES OUTDOOR	n.a.	n.a.





FLIWER
IS THE UNIQUE SYSTEM
THAT INDEPENDENTLY
TAKE CARE
OF YOUR GARDEN



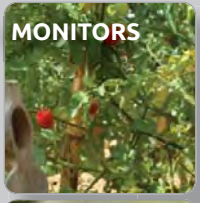
THROUGH AN
ARTIFICIAL
INTELLIGENCE

Your personal gardener

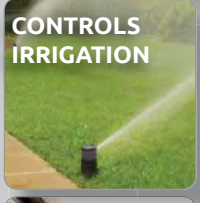


THE REAL SMART IRRIGATION

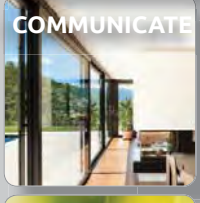




Sensor



Control



Link



Cloud



Platforms

fliwer Slim PRO

you can...

- communicate to your plants: know what they need and when they need it
- take care of your plants based on knowledge instead of intuition
- have a personal gardener who tells you the right tasks to do
- control the plant status and its environment
- be alerted if something goes wrong
- optimize the irrigation and save water

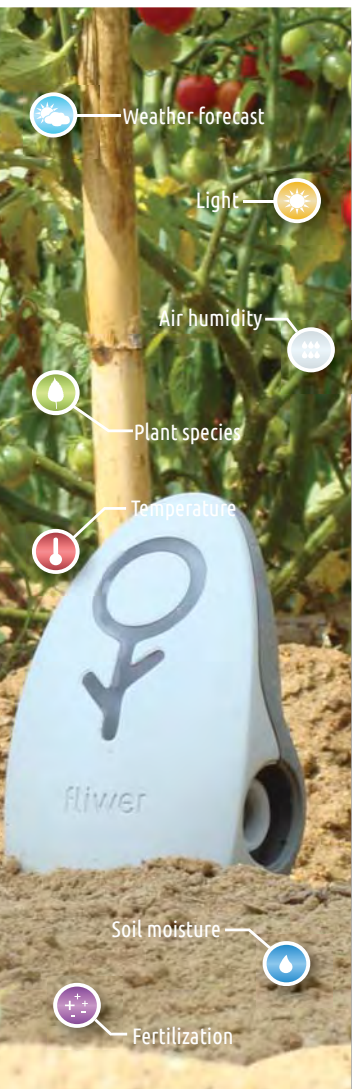


fliwer DIY

is a real innovation because...

- knows exactly which plants are present in your garden
- recognizes their specific needs
- continuously analyzes their environment
- is able to act by itself
- informs you about what is happening

- Light
- Environmental temperature
- Environmental humidity
- Soil moisture
- Electro conductivity



fliwer_{DIY}



FLIWER SENSE&WATER

Fliwer SENSE&WATER KIT permits you to monitor the state of your garden and the health of your plants. You will also receive suggestions, advices and alerts if something goes wrong in your garden. You can check through your user interface on platform all data coming from Fliwer SENSOR, such as light, environmental temperature and humidity, soil moisture and the need of fertilization (through the electro conductivity of soil). Fliwer SENSOR owns an electric valve inside, which can be used to control a micro-irrigation system.

CONTENT OF SENSE&WATER WIFI

- Fliwer SENSOR
- Fliwer LINK WiFi

CONTENT OF SENSE&WATER 3G

- Fliwer SENSOR
- Fliwer LINK 3G
- SIM M2M

Code	Models	Box Qt.y	Box - cm
180.7900000	FLIWER SENSE&WATER WIFI	n.a.	n.a.
180.8000000	FLIWER SENSE&WATER 3G (SIM included)	n.a.	n.a.



FLIWER CONTROL

Fliwer CONTROL takes the place of a normal irrigation controller, either in a new irrigation system or in an old one, because it is fully compatible with standard solenoid valves in the market (9Vdc and 24Vac).



Code	Models	Box Qt.y	Box - cm
180.8300000	FLIWER CONTROL 24 VAC 6 ZONES	n.a.	n.a.
180.8400000	FLIWER CONTROL 9 VDC 6 ZONES	n.a.	n.a.

FLIWER PRO SENSOR



FLIWER PRO SENSOR BIZONE



FLIWER SENSOR

Fliwer SENSOR is placed within the green area we want to take care about, to build a physiological and representative profile of the environment.

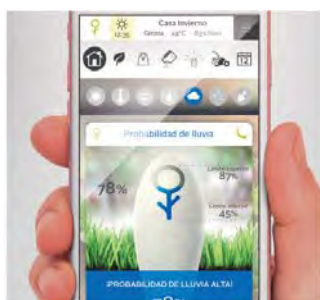
The number of Sensors to be installed will depend on the number of physiologically different zones, not on the size of the area or on the number of plants.

Fliwer SENSOR detects:

- Light
- Environmental temperature
- Environmental humidity
- Soil moisture
- Electro conductivity



Code	Models	Box Qt.y	Box - cm
180.8100000	FLIWER SENSOR	n.a.	n.a.
180.8200000	FLIWER SENSOR BIZONE	n.a.	n.a.



TAP TIMERS

BATTERY CONTROLLERS

24 VAC CONTROLLERS

SENSORS

ELECTRIC VALVES

SPRINKLERS

FITTINGS

ACCESSORIES

AGRICULTURE

fliwer Slim PRO

Link Wi-Fi



Link 3G



FLIWER LINK

Fliwer SLIM PRO LINK permits you to connect any Fliwer device with the Cloud, to know and manage the needs of your garden, day by day. This model has added features for the Pro market. The design of the new antenna and the case IP 68 allows to place the Link inside or outside your house. The slim design saves space and the built in magnet allows to attach with all the other Fliwer devices. Available in Wi-Fi and 3G to enable you to connect the system of your preferred choice. Available in 2 different configuration; optional lithium ion Battery pack or 220 Volt (transformer included).

Code	Models	Box Qt.y	Box - cm
180.5200900	FLIWER LINK WIFI - SLIM PRO (transformer included)	n.a.	n.a.
180.5300900	FLIWER LINK 3G (SIM included) - SLIM PRO (transformer included)	n.a.	n.a.



FLIWER SENSOR - LOTUS PRO



FLIWER SENSOR - SLIM PRO

FLIWER SENSOR

Fliwer LOTUS PRO SENSOR is placed within the green area we want to take care about, to build a physiological and representative profile of the environment. The number of Sensors to be installed will depend on the number of physiologically different zones, not on the size of the area or on the number of plants. Fliwer sensor is supplied with rechargeable Lithium ion battery for ease of use and longevity.

Fliwer SENSOR detects:

- Light
- Environmental temperature
- Environmental humidity
- Soil moisture
- Electro conductivity



Code	Models	Box Qt.y	Box - cm
180.8100900	FLIWER SENSOR - LOTUS PRO	n.a.	n.a.
180.8110900	FLIWER SENSOR - SLIM PRO	n.a.	n.a.



FLIWER CONTROL

Fliwer SLIM PRO CONTROL takes the place of a normal irrigation controller, either in a new irrigation system or in an existing one, because it is fully compatible with standard solenoid valves in the market. IP 68 case allow to place it inside valve boxes or indoor. Easy to connect, can control up to 6 valves, or losing one station pumps or master valves. Available in 2 different configuration; 9 Volt VDC for latching solenoid, or 24 Volt. The slim design save space and the magnet allows to pack with all the other different product.

Code	Models	Box Qt.y	Box - cm
180.8300900	FLIWER CONTROL 24 VAC 6 ZONES - SLIM PRO (transformer included)	n.a.	n.a.
180.8400900	FLIWER CONTROL 9 VDC 6 ZONES - SLIM PRO (battery pack included)	n.a.	n.a.



Code	Models	Box Qt.y	Box - cm
180.9000900	FLIWER LOGGER - SLIM PRO (transformer included)	n.a.	n.a.

FLIWER LOGGER

Flower SLIM PRO LOGGER allows to connect to the system, any type of analogic or digital device (3). In addition, you can connect also flow meter and USB sensor (1). At the same time, this device has imbedded light, air-humidity and temperature sensors. This device is dedicated to professionals users that want to manage the system in very precise and professional way. The slim design save space and the magnet allows to pack with all the other different product Available in two different configuration; L-ion Battery (not included), or 220 Volt (transformer included).



Code	Models	Box Qt.y	Box - cm
180.4200900	FLIWER DISPLAY - SLIM PRO (transformer included)	n.a.	n.a.

FLIWER DISPLAY

Flower SLIM DISPLAY is dedicated who wants to have a display that shows you the main parameter of the system on site without to be connected to the platform. The IP 68 case allows to place the pack outside or inside. The slim design save space and the magnet allows to pack with all the other different product. Available in two different configuration; Lion Battery (not included), or 220 Volt (transformer included).



Code	Models	Box Qt.y	Box - cm
180.4300900	FLIWER CAMERA - SLIM PRO (transformer included)	n.a.	n.a.

FLIWER CAMERA

Flower SLIM CAMERA is a IP 68 camera working with battery o normal electric power that allows you to control visually the status of your garden trough the platform. The slim design save space and the magnet allows to pack with all the other different product.



Code	Models	Box Qt.y	Box - cm
180.4100900	FLIWER BATTERY - SLIM PRO	n.a.	n.a.

FLIWER BATTERY

Flower BATTERY SLIM PRO, is a L-ion battery pack to let you have any device working independently without a power surge. The battery pack is rechargeable with a normal mini USB port. The IP 68 case allows to place the pack outside or inside. The slim design save space and the magnet allows to pack with all the other different product.

TAP TIMERS

BATTERY CONTROLLERS

24 VAC CONTROLLERS

SENSORS

ELECTRIC VALVES

SPRINKLERS

FITTINGS

ACCESSORIES

AGRICULTURE



..... fliwer





SPECIFICATIONS

- Electronic sensor
- Voltage from 24 VAC to 30 VAC
- Push-rods in stainless steel
- Working start 4 mm
- Complete isolation of electronic form
- Regulation of liquid drain
- Packed piece by piece

RAIN STOP

Rain Sensor

DESCRIPTION

RainSTOP is an electronic rain sensor. All its components are high quality electronics from Japan. Its working principle is studied to start to work immediately in case of rain. Rainstop stops irrigation as soon as 4 mm of precipitation are reached, preventing the irrigation system from working while it is raining.

TECHNICAL INFORMATION

Rainstop is available:

- Rainstop 3 wires and Rainstop 4 wires.
- The three wires of Rainstop 3 allow to connect a rain sensor to all 24 vac controllers as it is not needed for its installation to have a sensor dedicated port on the controller.
- Rainstop 4 (four) wires is the professional rain sensor for the 24 vac controllers equipped with sensor control feature.

Code	Models
210.5001000	RAIN STOP 3 WIRES
210.5002000	RAIN STOP 4 WIRES



Code	Models
210.5005300	SENSOR RM

RM

Rain Sensor

DESCRIPTION

The Rain Sensor prevents your automatic sprinkler system from watering during a rain. The rain sensor is adjustable to accommodate rainfall from 1/8 In. to 1 In.

SPECIFICATIONS

- Adjustable to 1/8", 1/4", 1/2", 3/4", 1"
- Hygroscopic discs absorb water to
- RX-1.5F model shuts off during rainfall
- For use with all types of 24Volt
- 30 feet of connection wire included
- Models include 1/2" NPT and 1/2" slip



SOLENOID

TECHNICAL FEATURES

Rain is proud to present the new range of solenoid valves equipped with an adaptor to open and close the valve manually with internal bleed. This improvement makes the opening and closing operation easier and safer. This changing interests also solenoid's thread: it is now a 3/4-20 UNF standard. The design of the adaptor and the handle allow a more comfortable opening and closing of the valves, mostly in uncomfortable situation like in valve boxes.



24 VAC

9 VDC

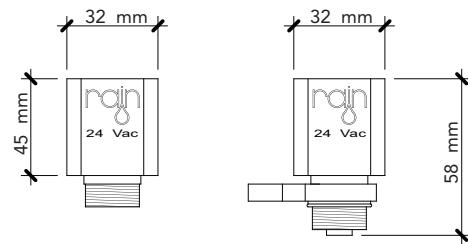


Adaptor for Hunter™ electric valves



Adaptor for RainBird™ electric valves

Code	Models
101.1001101	24 VAC/50 - 60 Hz C.A.
101.1005001	24 VDC
101.1006001	12 VAC
101.1004001	12 VDC
101.3507000	6-40 VDC LATCHING
101.4901000	ADAPTOR FOR HUNTER™ ELECTRIC VALVES
101.4902000	ADAPTOR FOR RAIN BIRD™ ELECTRIC VALVES



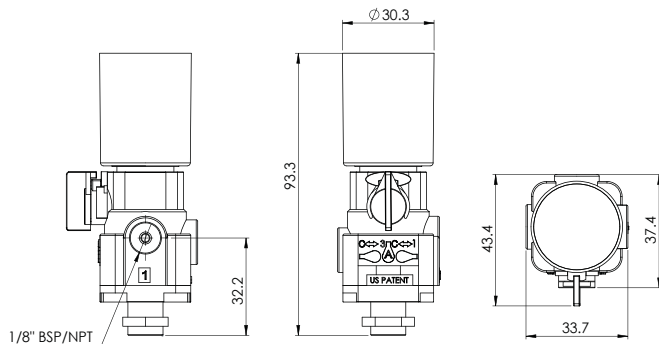
RN 3 WAY SOLENOID

TECHNICAL INFORMATION

- Function: 3 Way NO
- Ports size: 1/8" BSP & NPT
- Orifice: 1.8 mm
- Materials in contact with media:
 - Manual override: Reinforced Nylon
 - Main Valve: Reinforced Nylon
 - Seals: EPDM
 - Spring: Stainless Steel
- Manual Override
 1. A - Auto (Com-port 3 open)
 2. Turn clockwise (Com-port 1 open)
 3. Turn counter-clockwise (Com-port 3 open)
- Colors:
 - Orange : 24 VAC SOLENOID
 - Blue : LATCHING SOLENOID
- Optional COM port: You can choose between "COM" at the side or "COM" at the bottom of the valve, while the other port should be plugged.



Code	Models
120.9000900	3 WAYS 24 VAC SOLENOID
120.9000960	3 WAYS 9 VDC SOLENOID





UNION VALVES

Electric valves

DESCRIPTION

The Rain Easy Fit patented solenoid valve system is a unique idea suitable for the global solenoid valve market. The system allows installation without the use of keys, glues or teflon tape. The preinstalled union grip is held by OR rubber mounted on the solenoid valve and manifold. It ensures complete tightness and security of the valve position and makes installation a simple process for the professional installer. This saves time and ultimately money.

TECHNICAL INFORMATION

- PA 6 30% fiberglass
- Single-piece diaphragm for reliable leak-free valve closing
- Self cleaning stainless-steel metering pin
- Stainless-steel diaphragm differential spring for smooth closing
- Solenoid certificate CE, IP 68 9 PN12 tested piece by piece at 14 bar
- Bleed handle for manual opening with internal bleed
- Energy efficient solenoid 0,2 amp, 4,8 VA
- Standard solenoid: 24 VAC
- Available solenoid 12 VDC; 24 VDC; 110 VAC; 9 (6-40) VDC Latching
- Flow Control

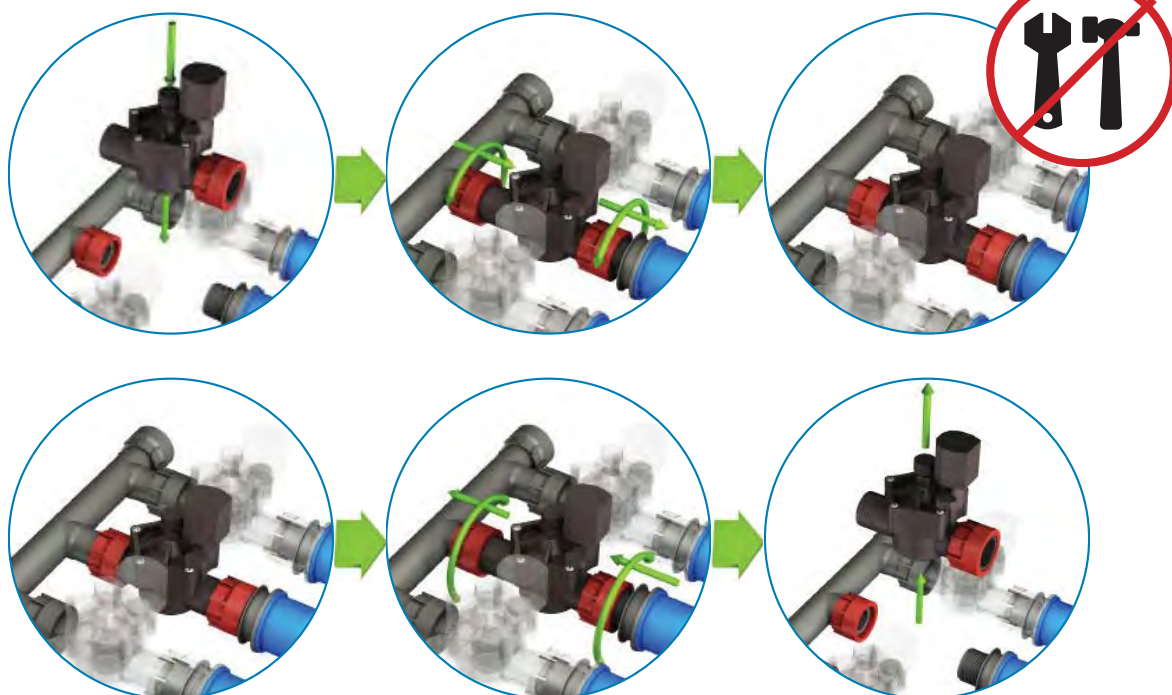
OPERATING CONDITIONS

- Pressure: min 1.0 bar - max 12.0 bar
- Temperature: +4° C/70° C



Code	Models	Box Qt.y	Box - cm
100.4600915	RN 150 1" M X UNION 24VAC	24	32x31x26
100.4600916	RN 150 1" UN X UNION 24VAC	24	32x31x26
100.4400915	RN 150 1" M X UNION W/FC 24VAC	24	32x31x26
100.4400916	RN 150 1" UN X UNION W/FC 24VAC	24	32x31x26
100.3000915	JAR TOP 1" M X UNION 24VAC	12	23x30x26
100.1560915	RN 155 PLUS 1" M X UNION 24VAC	12	30x26x22
100.1560916	RN 155 PLUS 1" M X UNION W/FC 24VAC	12	30x26x22
100.5701516	RN 160 PLUS 1" 1/2 M X UNION W/FC 24VAC	12	48x47x20
100.5701716	RN 160 PLUS 2" M X UNION W/FC 24VAC	8	48x47x20

AVAILABLE ALSO IN THE UNIQUE PATENTED VERSION WITH EASY UNION CONNECTION



RN 150

Electric valves

DESCRIPTION

Rain is very proud to introduce new versions of the well known family of the electric valves RN150.

Thanks to a long study of the fluid's dynamic this small dimension doesn't prejudice the loss of charge, that remains low until more than 35 liters per minute.

The wide range of possible combinations and the extremely competitive price, makes this valve economic and suitable for different kind of installations, in small and medium residential applications.

TECHNICAL INFORMATION

- PA 6 30% fiberglass
- Single-piece diaphragm for reliable leak-free valve closing
- Self cleaning stainless-steel metering pin
- Stainless-steel diaphragm differential spring for smooth closing
- Solenoid certificate CE, IP 68 9 PN12 tested piece by piece at 14 bar
- Bleed handle for manual opening with internal bleed
- Energy efficient solenoid 0,2 amp, 4,8 VA
- Standard solenoid: 24 VAC
- Available solenoid 12 VDC; 24 VDC; 110 VAC; 9 (6-40) VDC Latching
- Flow Control

OPERATING CONDITIONS

- Pressure: min 1.0 bar - max 12.0 bar
- Temperature: +4° C/70° C
- Flow rate: from 20 l/min to 50 l/min



1. BLEED HANDLE FOR MANUAL OPENING



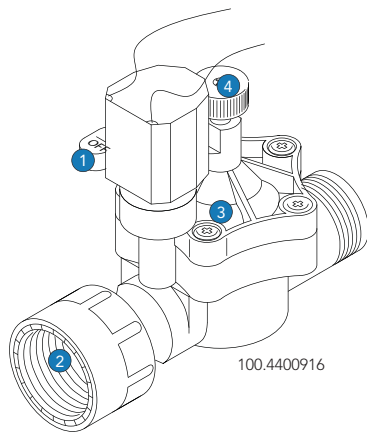
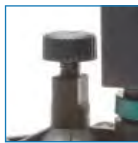
2. THREADS AVAILABLE: MALE, FEMALE, UNION



3. SINGLE PIECE CO-INJECTED DIAPHRAGM



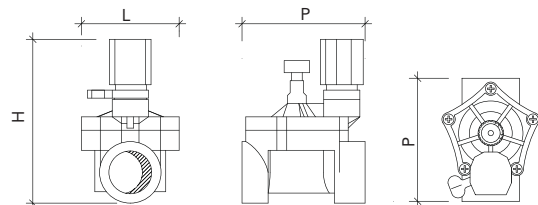
4. FLOW CONTROL AVAILABLE



RN 150 - LOSS OF CHARGE (in bar)

	1/2"	3/4"	1"
20 l/min	0.35	0.35	0.30
30 l/min	0.52	0.52	0.45
40 l/min	0.70	0.60	0.60
50 l/min	0.80	0.80	0.70
60 l/min	0.80	0.80	0.70
70 l/min	0.85	0.85	0.75
80 l/min	0.95	0.95	0.85
90 l/min	1.05	1.05	0.95

Code	Models	Box Qt.y	Box - cm
100.4600710	RN 150 3/4" M 24VAC	24	32x31x26
100.4600910	RN 150 1" M 24VAC	24	32x31x26
100.4800710	RN 150 3/4" F 24 VAC	24	32x31x26
100.4800910	RN 150 1" F 24 VAC	24	32x31x26
100.4500511	RN 150 1/2" F W/FC 24VAC	24	32x31x26
100.4400711	RN 150 3/4" M W/FC 24VAC	24	32x31x26
100.4400911	RN 150 1" M W/FC 24VAC	24	32x31x26
100.4500711	RN 150 3/4" F W/FC 24VAC	24	32x31x26
100.4500911	RN 150 1" F W/FC 24VAC	24	32x31x26
100.4400916	RN 150 PLUS 1" M X UNION W/FC 24VAC		



RN 150 - DIMENSIONS (in cm)

	3/4" M	1" M	1/2" F	3/4" F
H	11.4	11.4	11.4	11.4
P	11.5	11.6	9.2	9.2
L	7.1	7.1	7.1	7.1

RN 150 - DIMENSIONS (in cm)

	1" F	1" M x U	1" U x U
H	11.4	11.4	11.4
P	9.2	12.8	14.1
L	7.1	7.1	7.1

TAP TIMER

BATTERY
CONTROLLER

24 VAC
CONTROLLER

SENSOR

ELECTRIC VALVES

SPRINKLER

FITTINGS

ACCESSORIES

AGRICULTURE



1. BLEED HANDLE FOR MANUAL OPENING



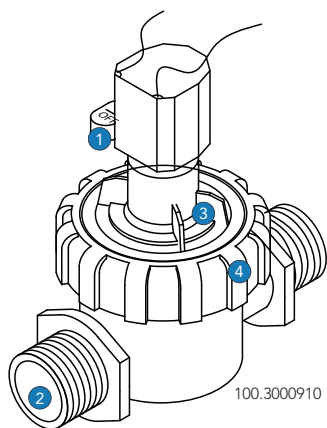
2. THREADS AVAILABLE: MALE, FEMALE, UNION



3. SINGLE PIECE CO-INJECTED DIAPHRAGM



4. JAR TOP BONNET



RN JAR-TOP - LOSS OF CHARGE (in bar)			
	3/4"	1"	1" MxU
30 l/min	0.38	0.28	0.33
45 l/min	0.38	0.30	0.34
60 l/min	0.40	0.30	0.35
75 l/min	0.40	0.35	0.35
90 l/min	0.46	0.40	0.40
105 l/min	0.52	0.40	0.45
120 l/min	0.62	0.50	0.56
135 l/min	0.71	0.60	0.65

JAR-TOP

Electric valves

DESCRIPTION

Rain's wide range of electric-valves is completed by the this family, studied for the professional contractor.

In fact the Jar-Top valve combines the most appreciated features: reliability and easy installation and product maintenance.

Reliability is ensured by high quality raw material: polyamide, TPE and AISI L stainless steel. The exceptional quickness of installation is guaranteed by the manifold system, model worldwide Rain's exclusive.

Thanks to the Jar-Top concept cleaning the valve is now easier than ever.

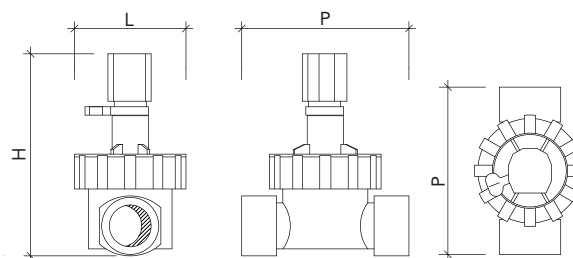
TECHNICAL INFORMATION

- PA 6 30% fiberglass
- Single-piece diaphragm for reliable leak-free valve closing
- Self cleaning stainless-steel metering pin
- Stainless-steel diaphragm differential spring for smooth closing
- Solenoid certificate CE, IP 68 9
- PN12 tested piece by piece at 14 bar
- Bleed handle for manual opening with internal bleed
- Energy efficient solenoid 0,2 amp, 4,8 VA
- Standard solenoid: 24 VAC
- Available solenoid 12 VDC; 24 VDC; 110 VAC; 9 (6-40) VDC Latching
- On request are also available NPT thread version: 1" F cod. 100.3210910

OPERATING CONDITIONS

- Pressure: min 1.0 bar - max 12.0 bar
- Temperature: +4° C/70° C
- Flow rate: from 20 l/min to 70 l/min

Code	Models	Box Qt.y	Box - cm
100.3000710	JAR-TOP 3/4" M 24VAC	12	23x30x26
100.3200710	JAR TOP 3/4" F 24VAC	12	23x30x26
100.3000910	JAR-TOP 1" M 24VAC	12	23x30x26
100.3200910	JAR TOP 1" F 24VAC	12	23x30x26



JAR - TOP - DIMENSIONS (in cm)					
	3/4" M	1" M	3/4" F	1" F	1" M x U
H	14.0	14.0	14.0	14.0	14.0
P	11.6	12.1	12.0	12.0	13.0
L	8.0	8.0	8.0	8.0	8.0

RN 155 PLUS

Electric valves

DESCRIPTION

Rain RN155 PLUS is the family of electric valves for professional landscape applications. Versatile, with very low loss of charge is the reliable hearth of an advanced irrigation system. The easy manual opening integrated in the valve body, the flow control to adjust your system to the flow availability and the strong body are some of the features that make this electric valves leader in the market.

TECHNICAL INFORMATION

- PA 6 30% fiberglass
- Single-piece diaphragm for reliable leak-free valve closing
- Self cleaning stainless-steel metering pin
- Stainless-steel diaphragm differential spring for smooth closing
- Solenoid certificate CE, IP 68 9
- PN12 tested piece by piece at 14 bar
- Bleed handle for manual opening with internal bleed
- Energy efficient solenoid 0,2 amp, 4,8 VA
- Standard solenoid: 24 VAC
- Available solenoid 12 VDC; 24 VDC; 110 VAC; 9 (6-40) VDC Latching
- Flow Control
- RN155 PLUS valves are also available in NPT thread for all the american and latin-american markets

OPERATING CONDITIONS

- Pressure: min 1.0 bar - max 12.0 bar
- Temperature: +4° C/70° C
- Flow rate: from 35 l/min to 90 l/min

Code	Models	Box Qt.y	Box - cm
100.1560711	RN 155 PLUS 3/4" M W/FC 24VAC	12	30x26x22
100.1560911	RN 155 PLUS 1" M W/FC 24VAC	12	30x26x22
100.1580911	RN 155 PLUS 1" F W/FC 24VAC	12	30x26x22
100.1560916	RN 155 PLUS 1" MxUNION W/FC 24VAC	12	30x26x22



1. BLEED HANDLE FOR MANUAL OPENING INTEGRATED IN VALVE BODY



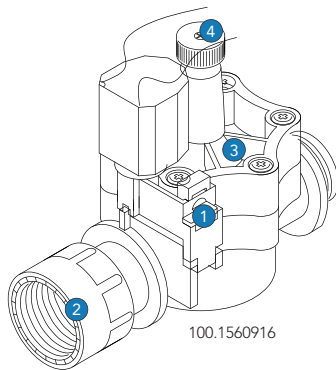
2. THREADS AVAILABLE: MALE, FEMALE, UNION



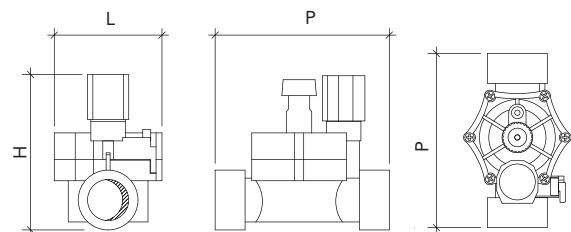
3. SINGLE PIECE CO-INJECTED DIAPHRAGM



4. FLOW CONTROL ADJUSTMENT HANDLE AVAILABLE



RN 155 - LOSS OF CHARGE (in bar)			
	3/4"	1"	1" MxU
30 l/min	0.30	0.25	0.35
45 l/min	0.30	0.25	0.35
60 l/min	0.30	0.25	0.35
75 l/min	0.30	0.25	0.35
90 l/min	0.37	0.28	0.42
105 l/min	0.42	0.32	0.47
120 l/min	0.52	0.35	0.57
135 l/min	0.62	0.40	0.67
150 l/min	0.75	0.47	0.80



RN 155 - DIMENSIONS (in cm)				
	3/4" M	1" M	1" F	1" M x U
H	11.5	11.5	11.5	11.5
P	13.1	13.1	13.1	13.9
L	8.1	8.1	8.1	8.1

TAP TIMER

BATTERY CONTROLLER

24 VAC CONTROLLER

SENSOR

ELECTRIC VALVES

SPRINKLER

FITTINGS

ACCESSORIES

AGRICULTURE



1. BLEED HANDLE FOR MANUAL OPENING



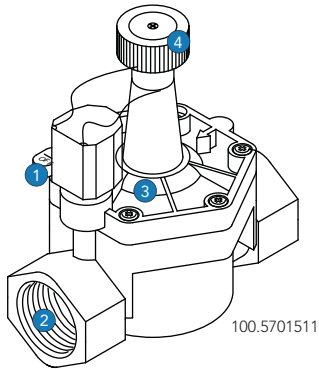
2. THREADS AVAILABLE: FEMALE, MALE X UNION



3. SINGLE PIECE CO-INJECTED DIAPHRAGM



4. FLOW CONTROL ADJUSTMENT HANDLE



100.5701511

RN 160 - LOSS OF CHARGE (in bar)				
	1"	1"1/4	1"1/2	2"
75 l/min	0.20	0.20		
100 l/min	0.27	0.20	0.20	0.16
125 l/min	0.32	0.21	0.20	0.16
150 l/min	0.42	0.27	0.20	0.16
175 l/min	0.58	0.30	0.21	0.18
200 l/min	0.75	0.40	0.25	0.21
225 l/min		0.48	0.29	0.23
250 l/min		0.58	0.34	0.28
275 l/min		0.69	0.39	0.32
300 l/min			0.45	0.38
325 l/min				0.41

RN 160 PLUS

Electric valves

DESCRIPTION

Rain RN160 PLUS is the family of electric valves for professional landscape and agricultural applications. This family is an historical product of Rain and its reliability, strength and high performances are well known in the market and have been even improved year after year.

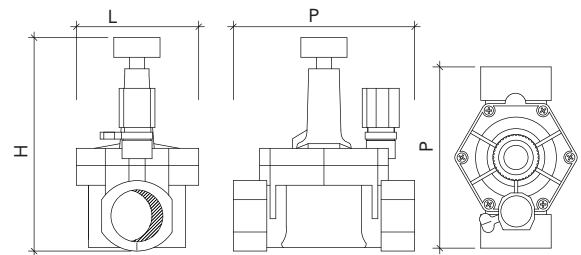
TECHNICAL INFORMATION

- PA 6 30% fiberglass
- Self cleaning stainless-steel metering pin
- Stainless-steel diaphragm differential pring for smooth closing
- Flow control
- Solenoid certificate CE, IP 68 9
- PN12 tested piece by piece at 14 bar
- Bleed handle for manual opening with internal bleed
- Energy efficient solenoid 0,2 amp, 4,8 VA
- Standard solenoid: 24 VAC
- Available solenoid 12 VDC; 24 VDC; 110 VAC; 9 (6-40) VDC Latching
- On request are also available NPT thread versions: 1"1/2 NPT W/ FC or 2" NPT W/FC

OPERATING CONDITIONS

- Pressure: min 1.0 bar - max 12.0 bar
- Temperature: +4° C/70° C
- Flow rate: from 75 l/min to 300 l/min

Code	Models	Box Qty	Box - cm
100.5700911	RN 160 PLUS 1" F W/FC 24VAC	12	48x47x20
100.5701211	RN 160 PLUS 1"1/4 F W/FC 24VAC	12	48x47x20
100.5701511	RN 160 PLUS 1"1/2 F W/FC 24VAC	12	48x47x20
100.5701711	RN 160 PLUS 2" F W/FC 24VAC	6	48x47x20



RN 160 - DIMENSIONS (in cm)					
	1" F	1"1/4 F	1"1/2" F	2" F	2" M x U
H	18.4	18.4	18.4	18.4	18.4
P	14.5	14.8	15.7	18.3	17.5
L	10.6	10.6	10.6	10.6	10.6

RN 180

Electric valves

DESCRIPTION

Rain RN180 is the family of electric valves dedicated for agriculture and big installations with high flow.

2 kg of weight made of virgin nylon plus 30% of fibreglass is the starting condition for the excellence for an electric valve for these applications.

Strong and reliable is studied to face even extreme conditions of flow, also thanks to its safe closing process to prevent water hammer.

TECHNICAL INFORMATION

- PA 6 30% fiberglass
- Self cleaning stainless-steel metering pin
- Stainless-steel diaphragm differential spring for smooth closing
- Solenoid certificate CE, IP 68 9
- PN12 tested piece by piece at 14 bar
- Bleed handle for manual opening with internal bleed
- Energy efficient solenoid 0,2 amp, 4,8 VA
- Flow Control
- Standard solenoid: 24 VAC
- Available solenoid 12 VDC; 24 VDC; 110 VAC; 9 (6-40) VDC Latching

OPERATING CONDITIONS

- Pressure: min 1.0 bar - max 12.0 bar
- Temperature: +4° C/70° C
- Flow rate: from 200 l/min to 1100 l/min

Code	Models	Box Qt.y	Box - cm
100.1802510	RN 180 2" F W/FC 24VAC	4	59x35x30,5
100.1803510	RN 180 3" M W/FC 24VAC	4	59x35x30,5
100.1803410	RN 180 3" F W/FC 24VAC	4	59x35x30,5
164.1803410	RN 180 3" F W/FC 9 VDC	4	59x35x30,5



1. BLEED HANDLE FOR MANUAL OPENING



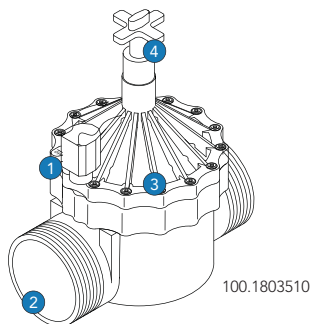
3. ASSEMBLED DIAPHRAGM



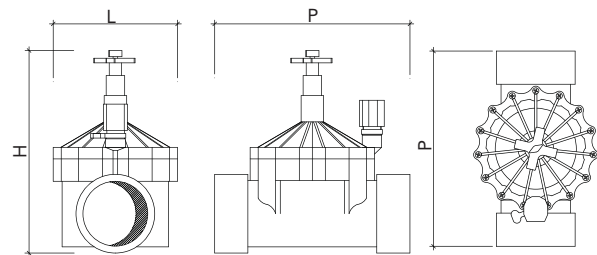
2. THREADS AVAILABLE: MALE, FEMALE



4. FLOW CONTROL ADJUSTMENT HANDLE AVAILABLE



RN 180 - LOSS OF CHARGE (in bar)		
	2"	3"
200 l/min	0.07	0.05
300 l/min	0.09	0.07
400 l/min	0.12	0.09
500 l/min	0.14	0.12
600 l/min	0.16	0.14
700 l/min	0.19	0.16
800 l/min	0.25	0.18
900 l/min	0.31	0.23
1000 l/min	0.38	0.28
1100 l/min	0.47	0.35



RN 180 - DIMENSIONS (in cm)			
	3" M	3" F	2" F
H	25.0	25.0	25.0
P	24.0	25.3	25.3
L	17.0	17.0	17.0



TAP TIMER

BATTERY
CONTROLLER

24 VAC
CONTROLLER

SENSOR

ELECTRIC VALVES

SPRINKLER

FITTINGS

ACCESSORIES

AGRICULTURE



RN 180 3 WAY

Electric valves

TECHNICAL INFORMATION

- PA 6 30% fiberglass
- Filter for dirty water working
- Stainless-steel diaphragm differential spring for smooth closing
- Solenoid certificate CE, IP 68 9
- PN12 tested piece by piece at 14 bar
- Bleed handle for manual opening with internal bleed
- Energy efficient solenoid 0,2 amp, 4,8 VA
- Flow Control
- Base

OPERATING CONDITIONS

- Pressure: min 1.0 bar - max 12.0 bar
- Temperature: +4° C/70° C
- Flow rate: from 200 l/min to 1100 l/min

AVAILABLE VERSIONS

- Standard solenoid: 24 VAC
- Available solenoid 12 VDC; 24 VDC; 110 VAC; 9 (6-40) VDC Latching

1. CONNECTION



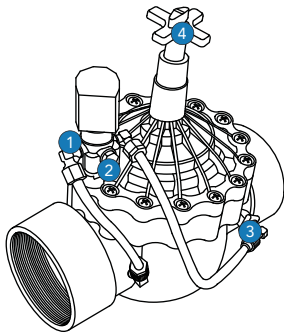
2. 1/4" FILTER



3. 3 WAY BASE



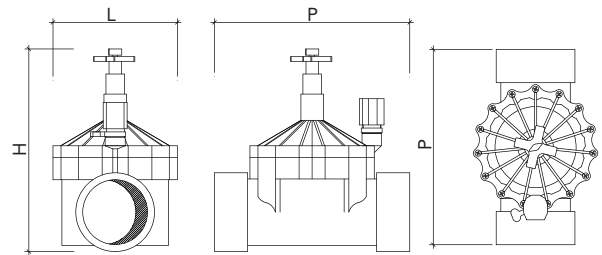
4. FLOW CONTROL ADJUSTMENT HANDLE AVAILABLE



RN 180 - LOSS OF CHARGE (in bar)

	2"	3"
200 l/min	0.07	0.05
300 l/min	0.09	0.07
400 l/min	0.12	0.09
500 l/min	0.14	0.12
600 l/min	0.16	0.14
700 l/min	0.19	0.16
800 l/min	0.25	0.18
900 l/min	0.31	0.23
1000 l/min	0.38	0.28
1100 l/min	0.47	0.35

Models	
100.1805210	RN 180 2" F 3 WAYS 24 VAC
164.1805210	RN 180 2" F 3 WAYS 9 VDC
100.1805510	RN 180 3" M 3 WAYS 24 VAC
164.1805510	RN 180 3" M 3 WAYS 9 VDC
100.1805410	RN 180 3" F 3 WAYS 24 VAC
164.1805410	RN 180 3" F 3 WAYS 9 VDC
100.1805520	RN 180 3" FLANGED 3 WAYS 24 VAC



RN 180 - DIMENSIONS (in cm)

	3" M	3"F	2"F
H	25.0	25.0	25.0
P	24.0	25.3	25.3
L	17.0	17.0	17.0



RN HYDRAULIC BRASS VALVE

Hydraulic valves

TECHNICAL INFORMATION

- Inlet/ Outlet connection: 1", 1.5" & 2" BSP/ NPT Female Threaded
- 3 Way Valve Port: Female threaded 1/4" -19 BSP or 1/4" -18NPT
- Pressure Ports: Female threaded 1/4" - 19 BSP or 1/4" - 18NPT
- Operating Pressure Range : 0.6 - 10 bar (8 - 145Psi)
- Pressure Rating: PN10
- Temperature Range: (with water) Upto 60°C

FEATURES

- Simple and robust design, only 4 parts involved.
- Light in weight for easy installation and maintenance.
- Brass Body and cover plate for durability and corrosion resistant.
- Metal reinforced rubber valve lid designed for smooth operation without deformation at high pressure with drop tight shutoff.
- Very less down time.
- Minimum head loss thanks to its inside design.
- Arrow for correct installation of hydraulic valve.
- Compatible with most irrigation controller available in market.

HYDRAULIC VALVE OPERATION

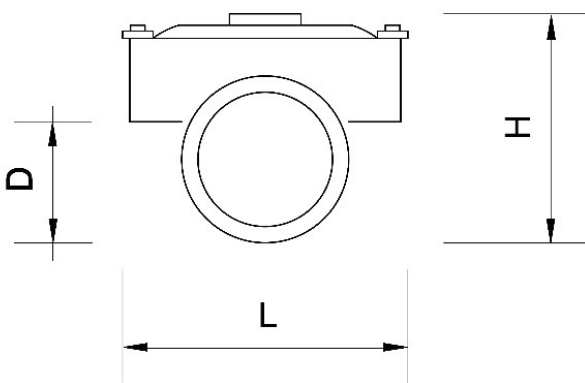
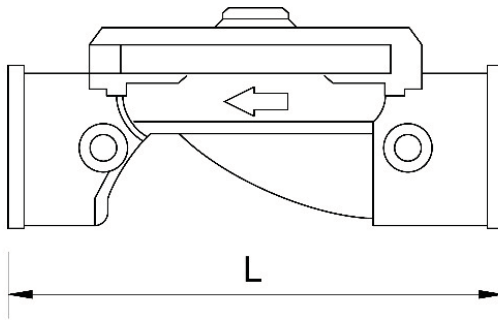
3 Way control:

Fully Close Position: This device admits pressure into the control Chamber.

Fully Open Position: This device relieves pressure into the atmosphere

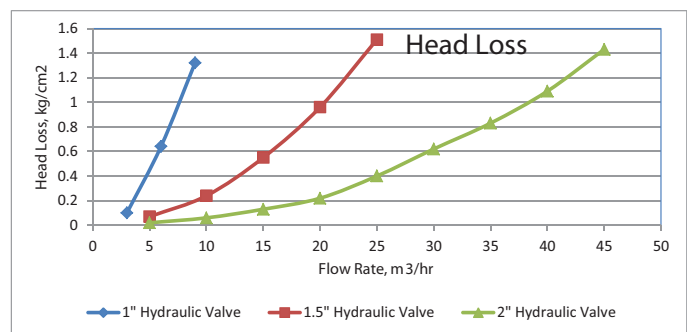


Code	Models
142.7000100	RN BRASS VALVE 1" - Hydraulic Control Valve
142.7000112	RN BRASS VALVE 1 1/2" - Hydraulic Control Valve
142.7000200	RN BRASS VALVE 2" - Hydraulic Control Valve



Hydraulic Performance:

Valve Size	mm	25	40	50
	inch	1"	1.5"	2"
Max. Flow Continuance (Qn)	m ³ /hr	5	12	25
	gpm	22	53	110
Max. Flow Intermittant (Qmax)	m ³ /hr	9	22	45
	gpm	40	97	198



Valves Size & Dimensions:

(All Dimensions are in mm & Inch)

Valve Size		D		L		H		W	
mm	Inch	mm	Inch	mm	Inch	mm	Inch	mm	Inch
25	1"	21.5	0.85	117	4.61	68.5	2.70	72	2.83
40	1.5"	31	1.22	153.5	6.04	85	3.35	95	3.74
50	2"	39	1.54	180.5	7.11	100	3.94	119	4.69

BRASS THREE WAYS VALVE



PLASTIC THREE WAYS VALVE



RN Y-TYPE 3 WAY VALVE

Hydraulic Control valve

FEATURES

- Designed for three hydraulic flow control positions.
- Common Port at base of the valve body.
- Base port thread sizes available in:
 - Male threaded 1/4" - 19 BSPT or 1/4" - 18 NPT
 - Male threaded 1/8" - 28 BSPT or 1/8" - 27 NPT
- Three Ports Thread: Female threaded 1/8" - 28 BSPT or 1/8" - 27 NPT
- Passage Size: 3.2 mm (1/8")
- Max. Operating Pressure: 16 Bar/ 230Psi
- One moving part only.
- Three hydraulic control positions: Open, Close & Automatic.
- All valves are sealed when handle position in between port position.
- High quality Teflon/UHMW seals and Nickel plated brass ball.
- Plastic parts are Chemical/Corrosion resistant, Color UV stabilized

Code	Models
143.8900300	BRASS THREE WAYS VALVE 1/4"x 1/8"
143.8000300	PLASTIC THREE WAYS VALVE 1/4"x 1/8"
143.8900400	BRASS THREE WAYS VALVE 1/8"x 1/8"
143.8000400	PLASTIC THREE WAYS VALVE 1/8"x 1/8"



PRESSURE REGULATOR

Electric valves

DESCRIPTION

Rain adjustable pressure regulator grants complete adjustment flexibility. It is not preset for specific performances but operating on the screw it provides the specific setting required by the operator. Its pressure gauge offers always a clear indication of the outlet pressure. Rain pressure regulator can be used on all Rain electric valves.

TECHNICAL INFORMATION

- Made of nylon-fiberglass and stainless steel
- Pressure gauge
- Regulation screw
- It can be Installed on all rain electric valves

OPERATING CONDITIONS

- Pressure output: min 1.0 bar max 7.0 bar
- Pressure input: max 12 bar
- Mini differential pressure 1.0 bar
- Temperature: min +4°C max 70°C

1. MANUAL OPENING



3. PRESSURE GAUGE



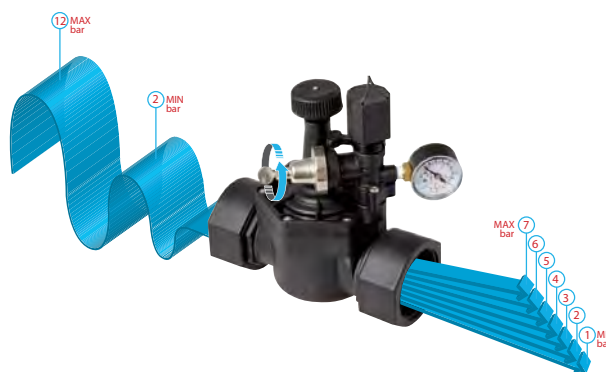
2. INSTALLATION



4. REGULATION SCREW



Code	Models
120.8000100	PRESSURE REGULATOR





3-WAY PRESSURE CONTROL VALVE

DESCRIPTION:

Pressure sustaining valve installed in-line, it sustain minimum back pressure, preventing line emptying and pump overloading. Pressure relief valve installed off-line, when line pressure rises above a desired set pressure, the valve opens to reduce excessive upstream pressure.

The Hydraulic valve is controlled by a 3-way pilot valve. The pilot valve has a spring loaded diaphragm which is sensitive to upstream pressure. The pilot spring is preset to desired sustained pressure. The pilot valve maintains a constant upstream pressure regardless of flow variations. The valve will be in closed position, if upstream pressure below the desired set pressure, and fully open when the upstream pressure exceeds the desired set pressure.

APPLICATION

- The brass hydraulic valve with brass pilot is best for the protection of most of the irrigation systems,
- filter mainfolds protection, line fill-up control, domestic and industrial supply systems. The 3-way brass
- pilot with unique diaphragm, enables precise pressure control.

TECHNICAL SPECIFICATIONS

- Inlet/ Outlet connection: 1", 1.5" & 2" BSP/ NPT Female Threaded
- Hydraulic Valves Ports: 4nos.x Female threaded 1/4" - 19 BSP or 1/4" - 18NPT
- 3 Way Pilot Ports: 4nos. X Female threaded 1/4" -19 BSP or 1/4" - 18NPT
- Operating Pressure Range/ Pressure Adjustment : 0.6 - 8 bar (8 - 115Psi)
- Pressure Rating: PN10
- Temperature Range: (with water) Upto 60°C

Code	Models
142.8000100	3-Way Pressure Sustaining/Relief Control Valve

FEATURES

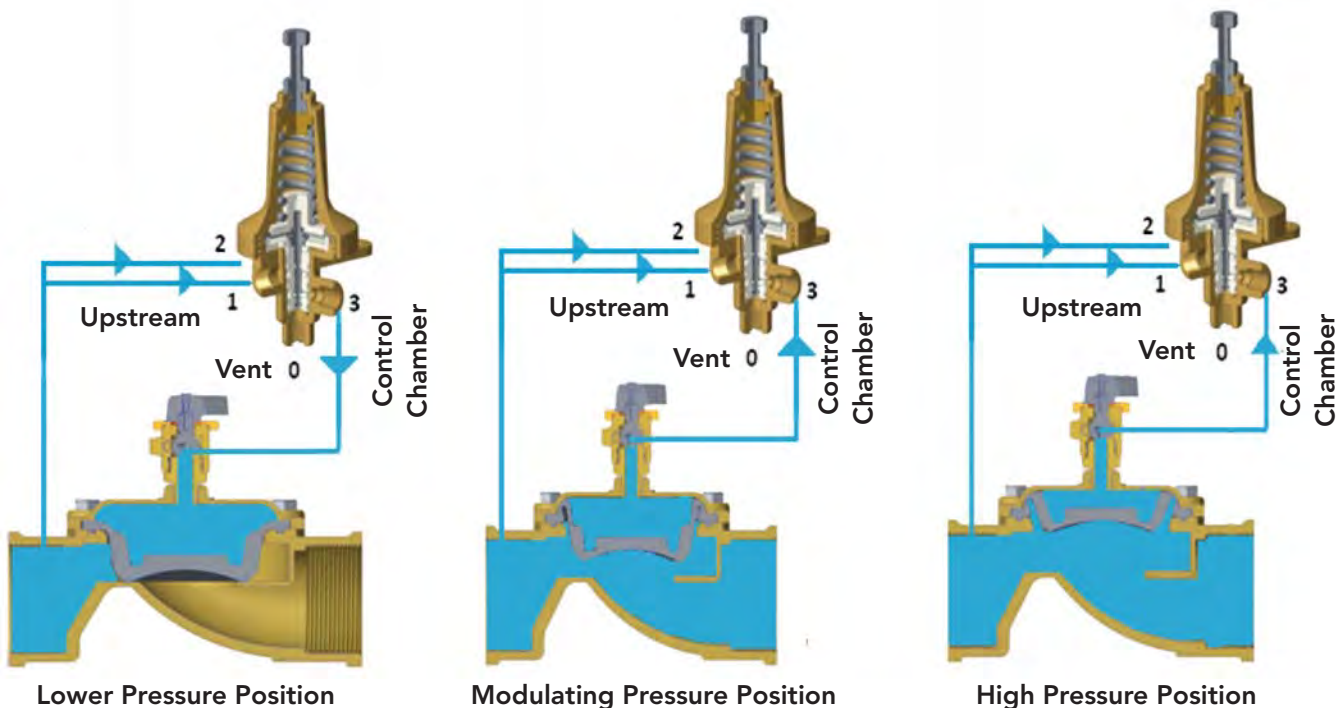
- It may be installed horizontally or vertically in the system.
- Precise pressure Control with very less reaction time.
- Arrow & number marking for correct installation.
- Min. Head loss due to its inside design.

ADJUSTMENTS:

- Standard Pressure Adjustment from the factory: 3 kg/cm²
- Adjust the desired sustained set pressure with the adjusting screw on the pilot.

PRESSURE SUSTAINING/RELIEF VALVE FUNCTIONS:

1. When the upstream pressure is lower than the desired set pressure: Valve fully closed
2. When the upStream pressure is equal to desired set pressure.
3. When the upstream pressure position is higher than desired set position.



S020

1/2" Sprays

DESCRIPTION

RAIN S020 pop-up sprays are built with the contractor in mind. With the narrow profile, replacement is effortless.

The RAIN S020 Spray is the only narrow profile spray with a co-molded wiper seal.

The co-molded wiper seal ensures proper operation year after year with minimal flow by.

FEATURES AND BENEFITS

- Available in 2" and 4" Models—Provides flexibility in system design
- Accepts Female Threaded Nozzles
- Stainless Steel Retraction Spring—Provides reliable retraction of the riser in all soil conditions
- Ratcheting Riser—Allows for easy pattern alignment by turning the riser
- Co-Molded Wiper Seal Ensures leak free, full pop-up operation even under low-pressure situations
- Narrow Profile Body – Easy to retrofit with existing systems minutes
- Color code nozzle

SPECIFICATIONS

- Operating pressure: 1.4 - 3.5 bar
- Flow Range: 1.9 - 17.5 l/min
- Inlet: 1/2" Female Thread



1. ADJUSTABLE NOZZLES



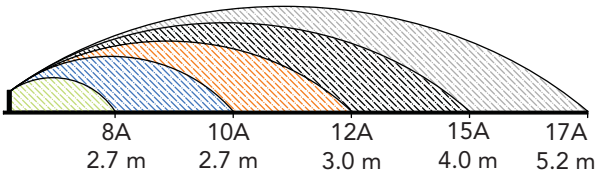
3. WIPER SEAL



2. UNIVERSAL TOOL



4. CHECK VALVE



Code	Models	Box Qty	Box - cm
280.1300200	BODY S020 02 - 5 CM	50	38x20x13
280.1300208	S020-2 8A - 5 CM	50	38x20x13
280.1300210	S020-2 10A - 5 CM	50	38x20x13
280.1300212	S020-2 12A - 5 CM	50	38x20x13
280.1300215	S020-2 15A - 5 CM	50	38x20x13
280.1300217	S020-2 17A - 5 CM	50	38x20x13
280.1300400	BODY S020 04 - 10 CM	50	38x20x13
280.1300408	S020-4 8A - 10 CM	50	38x20x13
280.1300410	S020-4 10A - 10 CM	50	38x20x13
280.1300412	S020-4 12A - 10 CM	50	38x20x13
280.1300415	S020-4 15A - 10 CM	50	38x20x13
280.1300417	S020-4 17A - 10 CM	50	38x20x13
280.1053428	CHECK VALVE	n.a.	n.a.

PRESTAZIONI TESTINE 8A SISTEMA METRICO

PRESSIONE KPA / BARS	RAGGIO METERS	PORTATA L/M M ³ /H	PRECIP MM/HRn	PRECIP MM/HRs
138 1.38	1.8	1.05 0.06	42	49
207 2.07	2.1	1.14 0.07	46	53
276 2.76	2.4	1.17 0.07	47	55
345 3.45	2.4	1.40 0.08	56	65
138 1.38	2.1	2.08 0.12	42	49
207 2.07	2.1	2.27 0.14	46	53
276 2.76	2.4	2.34 0.14	47	55
345 3.45	2.7	2.76 0.17	56	65
138 1.38	2.4	3.14 0.19	42	49
207 2.07	2.4	3.41 0.20	46	53
276 2.76	2.7	3.52 0.21	47	55
345 3.45	3.0	4.16 0.25	56	65
138 1.38	2.4	4.16 0.25	42	49
207 2.07	2.7	4.54 0.27	46	53
276 2.76	3.0	4.69 0.28	47	55
345 3.45	3.4	5.53 0.33	56	65

PRESTAZIONI TESTINE 10A SISTEMA METRICO

PRESSIONE KPA / BARS	RAGGIO METERS	PORTATA L/M M ³ /H	PRECIP MM/HRn	PRECIP MM/HRs
138 1.38	2.7	1.63 0.10	42	49
207 2.07	2.7	1.78 0.11	45	53
276 2.76	3.0	2.00 0.12	51	59
345 3.45	3.4	2.27 0.14	59	68
138 1.38	2.7	3.25 0.20	42	49
207 2.07	3.0	3.52 0.21	45	53
276 2.76	3.4	3.93 0.24	51	59
345 3.45	3.7	4.54 0.27	59	68
138 1.38	3.0	4.88 0.29	42	49
207 2.07	3.0	5.30 0.32	45	53
276 2.76	3.4	5.90 0.35	51	59
345 3.45	3.7	6.81 0.41	59	68
138 1.38	2.7	6.51 0.39	42	49
207 2.07	3.0	7.04 0.42	45	53
276 2.76	3.4	7.87 0.47	51	59
345 3.45	3.7	9.08 0.54	59	68

PRESTAZIONI TESTINE 17A SISTEMA METRICO

PRESSIONE KPA / BARS	RAGGIO METERS	PORTATA L/M M ³ /H	PRECIP MM/HRn	PRECIP MM/HRs
138 1.38	4.9	3.52 0.21	31	36
207 2.07	5.2	3.79 0.23	34	39
276 2.76	5.5	4.16 0.25	37	43
345 3.45	5.8	4.73 0.28	42	49
138 1.38	4.6	7.00 0.42	31	36
207 2.07	4.9	7.57 0.45	34	39
276 2.76	5.2	8.32 0.50	37	43
345 3.45	5.5	9.46 0.57	42	49
138 1.38	4.3	10.52 0.63	31	36
207 2.07	4.6	11.36 0.68	34	39
276 2.76	4.9	12.49 0.75	37	43
345 3.45	5.2	14.20 0.85	42	49
138 1.38	4.3	14.01 0.8	31	36
207 2.07	4.6	15.14 0.91	34	39
276 2.76	4.9	16.66 1.00	37	43
345 3.45	5.2	18.93 1.14	42	49

PRESTAZIONI TESTINE 12A SISTEMA METRICO

PRESSIONE KPA / BARS	RAGGIO METERS	PORTATA L/M M ³ /H	PRECIP MM/HRn	PRECIP MM/HRs
138 1.38	3.4	1.85 0.11	33	38
207 2.07	3.7	1.93 0.12	35	40
276 2.76	3.7	2.27 0.14	41	47
345 3.45	4.0	2.46 0.15	44	51
138 1.38	3.4	3.67 0.22	33	38
207 2.07	3.4	3.86 0.23	35	40
276 2.76	3.7	4.54 0.27	41	47
345 3.45	4.0	4.92 0.30	44	51
138 1.38	3.0	5.53 0.33	33	38
207 2.07	3.4	5.79 0.35	35	40
276 2.76	3.7	6.81 0.41	41	47
345 3.45	4.0	7.38 0.44	44	51
138 1.38	3.0	7.34 0.44	33	38
207 2.07	3.4	7.72 0.46	35	40
276 2.76	3.7	9.08 0.54	41	47
345 3.45	4.0	9.84 0.59	44	51

PRESTAZIONI TESTINE 15A SISTEMA METRICO

PRESSIONE KPA / BARS	RAGGIO METERS	PORTATA L/M M ³ /H	PRECIP MM/HRn	PRECIP MM/HRs
138 1.38	4.6	2.84 0.17	33	38
207 2.07	4.9	3.03 0.18	35	40
276 2.76	5.2	3.33 0.20	38	44
345 3.45	5.2	3.79 0.23	43	50
138 1.38	4.0	5.68 0.34	33	38
207 2.07	4.3	6.06 0.36	35	40
276 2.76	4.6	6.62 0.40	38	44
345 3.45	4.6	7.57 0.45	43	50
138 1.38	4.0	8.52 0.51	33	38
207 2.07	4.3	9.08 0.54	35	40
276 2.76	4.6	9.96 0.60	38	44
345 3.45	4.6	11.36 0.68	43	50
138 1.38	4.0	11.36 0.68	35	38
207 2.07	4.3	12.11 0.73	35	40
276 2.76	4.6	13.25 0.80	38	44
345 3.45	4.6	15.14 0.91	43	50



S050

1/2" Rotors

DESCRIPTION

Rain S050 is gear-driven, rotary type sprinklers, capable of covering an area of 5.2 to 9.1 m radius at nozzle pressure of 2.1 to 3.4 bar with a discharge rate of 2.84 to 12.5 LPM.

They are perfect for small lawn and landscape areas and for replacing fixed sprays.

Rain S050 is supplied with five numerically coded interchangeable nozzles. Sprinklers nozzle trajectory are 26°. The sprinklers have a stainless steel radius adjustment screw.

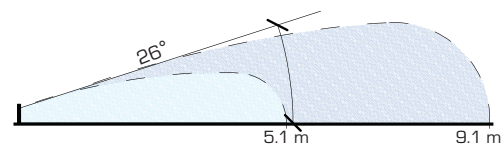
Rain S050 and S050 S provide arc adjustment from 40° to 360°.

FEATURES AND BENEFITS

- Right position start – rotor rotates counterclockwise from fixed right start position
- Rubber cover – seals out dirt and increases product durability
- Time proven patented reversing mechanism – Assures continuous reverse and return...over a 20 year history
- Ratcheting riser – allows for easy adjustment of your starting position with a simple turn of the riser
- Wide selection of nozzles – provides flexibility in system design
- Optional check valve – prevents low head drainage

SPECIFICATIONS

- Inlet: 1/2"
- Arc Adjustment Range: 40°- 360°
- Flow Range: 2,8 - 12,5 l/m
- Operating pressure: 1,4 - 5,0 Bar
- Precipitation Rate: 0,5 to 1 cm per Hour (Depending on Spacing and nozzle Used)
- Overall Height: 15,2 cm
- Recommended Spacing: 5,2 to 8,5 m
- Radius: 5,5 to 10,7 m
- Nozzle Trajectory: 26°
- Riser Height: 10,2 cm



S050 PERFORMANCES			
Nozzle	Bar	m (radius)	l/min
0.75	2.07	5.5	2.80
	2.76	5.8	3.00
	3.45	6.1	3.40
1	2.07	7.9	3.40
	2.76	8.2	4.50
	3.45	8.2	4.90
1.5 Pre-Installed	2.07	9.1	6.80
	2.76	9.4	8.00
	3.45	10.1	9.10
2	2.07	10.7	7.20
	2.76	10.7	8.30
	3.45	10.7	9.90
3	2.07	8.4	10.20
	2.76	9.0	11.40
	3.45	9.0	12.50



1. 5 INTERCHANGEABLE NOZZLES



3. CHECK VALVE



2. UNIVERSAL TOOL



4. RUBBER COVER



Code	Models	Box Qt.y	Box - cm
280.1290101	S050 1/2"	25	31x26x17
270.1010507	NOZZLE	n.a.	n.a.
270.1010503	CHECK VALVE	n.a.	n.a.
270.1010509	ADJUSTMENT TOOL	n.a.	n.a.



TAP TIMER

BATTERY CONTROLLER

24 VAC CONTROLLER

SENSOR

ELECTRIC VALVES

SPRINKLER

FITTINGS

ACCESSORIES

AGRICULTURE



S050 S

1/2" Rotors

DESCRIPTION

Rain S050 is gear-driven, rotary type sprinklers, capable of covering an area of 5.2 to 9.1 m radius at nozzle pressure of 2.1 to 3.4 bar with a discharge rate of 2.84 to 12.5 LPM.

They are perfect for small lawn and landscape areas and for replacing fixed sprays.

Rain S050 is supplied with five (5) numerically coded interchangeable nozzles. Sprinklers nozzle trajectory are 26°. The sprinklers have a stainless steel radius adjustment screw.

Rain S050 and S050 S provide arc adjustment from 40° to 360°.

FEATURES AND BENEFITS

- Left position start – rotor rotates clockwise from fixed left start position
- Patented Arc Set Degree Markings—Clearly indicates the current watering pattern and simplifies arc set adjustment
- Time proven patented reversing mechanism – Assures continuous reverse and return...over a 20 year history
- Ratcheting riser – allows for easy adjustment of your starting position with a simple turn of the riser
- Wide selection of nozzles – provides flexibility in system design
- Optional check valve – prevents low head drainage

SPECIFICATIONS

- Inlet: 1/2"
- Arc Adjustment Range: 40° - 360°
- Flow Range: 2,8 - 12,5 l/m
- Operating pressure: 1,4 - 5,0 Bar
- Precipitation Rate: 0,5 to 1 cm per Hour (Depending on Spacing and nozzle Used)
- Overall Height: 15,2 cm
- Recommended Spacing: 5,2 to 8,5 m
- Radius: 5,5 to 10,7 m
- Nozzle Trajectory: 26°
- Riser Height: 10,2 cm

1. 5 INTERCHANGEABLE NOZZLES



3. CHECK VALVE



2. UNIVERSAL TOOL



4. ARC SET DEGREE MARKING

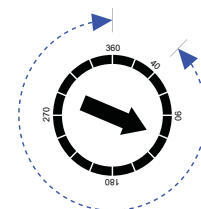


Code	Models	Box Qt.y	Box - cm
280.1290102	S050 S 1/2"	25	31x26x17
270.1010507	NOZZLE	n.a.	n.a.
270.1010503	CHECK VALVE	n.a.	n.a.
270.1010519	ADJUSTMENT TOOL	n.a.	n.a.



S050 S PERFORMANCES			
Nozzle	Bar	m (radius)	l/min
0.75	2.07	5.5	2.80
	2.76	5.8	3.00
	3.45	6.1	3.40
1	2.07	7.9	3.40
	2.76	8.2	4.50
	3.45	8.2	4.90
1.5 Pre-Installed	2.07	9.1	6.80
	2.76	9.4	8.00
	3.45	10.1	9.10
2	2.07	10.7	7.20
	2.76	10.7	8.30
	3.45	10.7	9.90
3	2.07	8.4	10.20
	2.76	9.0	11.40
	3.45	9.0	12.50

ARC SET DEGREE MARKINGS



S075

3/4" Rotors

DESCRIPTION

Rain S075 is the first Rain s.p.a. gear driven sprinkler. It is designed for basic residential and light commercial application and is ideal for low flow applications. Rain S075 rotates counter clockwise from fixed right start position and has an easy top adjustment procedure. The arc range that is from 40° to 360° provides a full range of adjustment. Rain S075 is capable of covering an area from 6,7 m to 15,5 m and is supplied with a wide selection of nozzles (8 standard with 25° nozzle trajectory and 4 low angle with 11° nozzle trajectory) in order to offer maximum flexibility to irrigation system design. Its special wiper seal reduces leaks caused by debris trapped under seal.

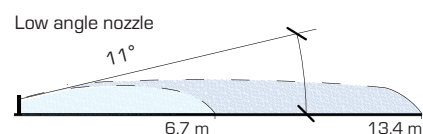
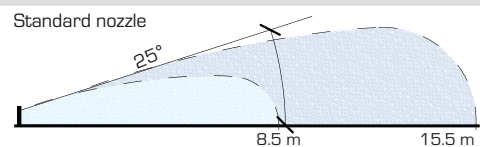
FEATURES AND BENEFITS

- Inlet: 3/4"
- Arc Adjustment Range: 40° to 360°
- Flow Range: 1,9 - 53,4 l/m
- Operating pressure: 2,0 - 5,0 Bar
- Precipitation Rate: 0,3 to 2,9 cm per Hour
- Overall Height: 18,7 cm
- Recommended Spacing: 7,6 to 13,7 m
- Radius: 6,7 to 15,5 m
- Nozzle Trajectory: 25°
- Low Angle Nozzle Trajectory: 11°
- 8 standard and 4 Low Angle Nozzle Included
- Riser Height: 10,2 cm

SPECIFICATIONS

- Right Position Start–Rotor rotates counterclockwise from fixed right start position
- Full and Part circle rotation–provides a full range of adjustment from 40° to 360°
- Non-flushing wiper seal–reduces leaks caused by debris trapped under seal
- 3/4" Inlet–Replaces all standard rotors
- Ideal for low flow applications
- Rubber Cover–Seals out dirt and increases product durability
- Wide Selection of Nozzles–Including standard and low angle, provides flexibility in system design.
- Five Year Limited Warranty

Code	Models	Box Qt.y	Box - cm
280.1150100	S075 3/4"	20	34x34x21
270.1010575	NOZZLE	n.a.	n.a.
270.1009110	CHECK VALVE	n.a.	n.a.
270.1010509	ADJUSTMENT TOOL	n.a.	n.a.



1. RUBBER COVER



2. 8 STANDARD NOZZLES + 4 LOW ANGLE NOZZLES



3. UNIVERSAL TOOL



4. CHECK VALVE



S075 PERFORMANCES NOZZLES 11°			
Nozzle	Bar	m (radius)	l/min
1.0 LA	2.0	6.7	4.5
	3.0	7.3	6.4
	3.5	7.9	6.8
	4.0	8.5	7.6
3.0 LA	2.0	8.8	11.4
	3.0	9.8	11.7
	3.5	10.7	13.2
	4.0	11.3	14.4
4.0 LA	2.0	9.4	12.9
	3.0	10.4	14.8
	3.5	11.3	16.7
	4.0	11.6	17.8
6.0 LA	3.0	11.6	24.6
	3.5	12.2	27.6
	4.0	12.8	30.3
	5.0	13.4	32.6

S075 PERFORMANCES NOZZLES 25°			
Nozzle	Bar	m (radius)	l/min
3 Pre-Installed	2.1	11.0	7.6
	2.8	11.6	9.1
	3.4	12.2	10.2
	4.1	12.2	11.0
0.75	2.1	8.8	2.6
	2.8	9.1	3.0
	3.4	9.1	3.4
	4.1	9.4	3.8
1	2.1	9.1	3.4
	2.8	9.4	3.8
	3.4	9.4	4.5
	4.1	9.8	4.9
2	2.1	9.8	4.5
	2.8	10.1	5.3
	3.4	10.4	6.1
	4.1	10.4	6.8
4	2.1	11.0	9.8
	2.8	12.2	11.4
	3.4	12.8	12.9
	4.1	12.8	14.0
6	2.1	11.6	15.9
	2.8	13.1	18.5
	3.4	14.0	20.8
	4.1	14.3	22.7
8	2.8	13.7	22.7
	3.4	14.6	25.7
	4.1	14.9	28.8
	4.8	15.5	31.0

TAP TIMER

BATTERY CONTROLLER

24 VAC CONTROLLER

SENSOR

ELECTRIC VALVES

SPRINKLER

FITTINGS

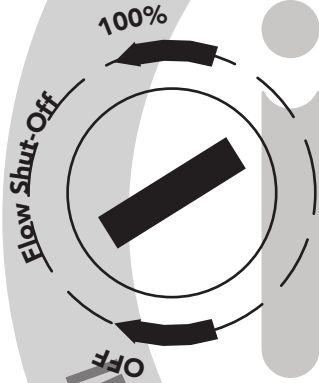
ACCESSORIES

AGRICULTURE

S 075 D



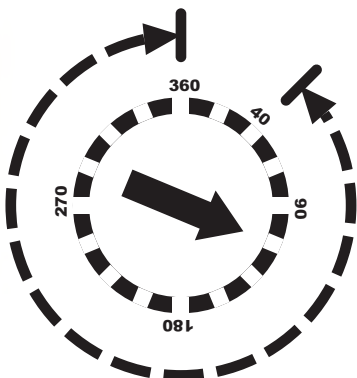
- Adjust distance and water flow at the same time -saves time and water!
- Full and Part circle rotation—provides a full range of adjustment from 40° to 360°



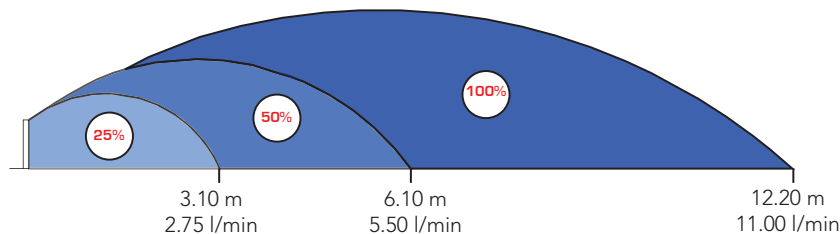
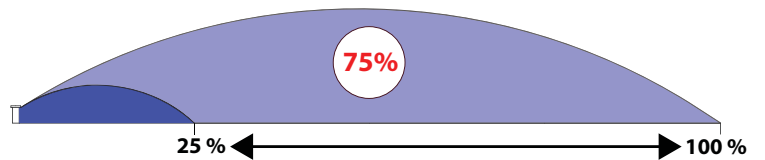
S 075 S



- Adjust distance and water flow at the same time -saves time and water!
- Patented Arc Set Degree markings—Clearly indicates the current watering pattern and simplifies arc set adjustment
- Arc Memory Clutch, which returns the rotor to its preset position automatically



Adjust distance and water flow at the same time -saves time and water!



S075 D

3/4" Rotors

DESCRIPTION

Rain S075 is the first Rain s.p.a. gear driven sprinkler with Adjust distance and water flow at the same time -saves time and water. Is designed for basic residential and light commercial application and is ideal for low flow applications. Rain S075 rotates counter clockwise from fixed right start position and has an easy top adjustment procedure. The arc range that is from 40° to 360° provides a full range of adjustment.

FEATURES AND BENEFITS

- Inlet: 3/4"
- Arc Adjustment Range: 40° to 360°
- Flow Range: 4.2 - 26.7 l/min
- Operating pressure: 2,0 - 5,0 Bar
- Precipitation Rate: 0,3 to 2,9 cm per Hour
- Overall Height: 18,7 cm
- Recommended Spacing: 7,6 to 13,7 m
- Radius: 9.4 to 14.3 m
- Nozzle Trajectory: 25°
- Low Angle Nozzle Trajectory: 11°
- 8 standard and 4 Low Angle Nozzle Included
- Riser Height: 10,2 cm

SPECIFICATIONS

- Adjust distance and water flow at the same time -saves time and water!
- Right Position Start–Rotor rotates counterclockwise from fixed right start position
- Full and Part circle rotation–provides a full range of adjustment from 40° to 360°
- Non-flushing wiper seal–reduces leaks caused by debris trapped under seal
- 3/4" Inlet–Replaces all standard rotors
- Ideal for low flow applications
- Rubber Cover–Seals out dirt and increases product durability
- Wide Selection of Nozzles–Including standard and low angle, provides flexibility in system design.
- Five Year Limited Warranty.



1. INNOVATIVE FLOW CONTROL



1. 8 STANDARD NOZZLES + 4 LOW ANGLE NOZZLES



3. UNIVERSAL TOOL



4. CHECK VALVE



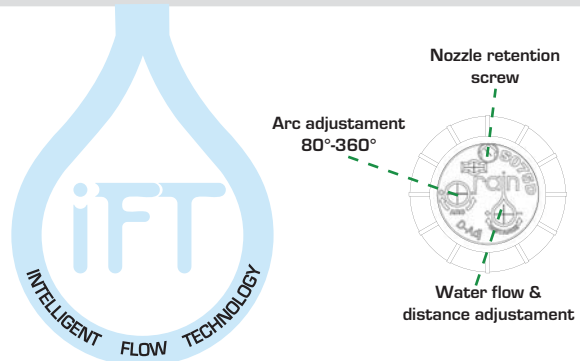
S075 D PERFORMANCES NOZZLES 25°

Nozzle	Bar	m (radius)	l/min
2.5 Pre-Installed	2.1	10.7	8.3
	2.8	11.6	9.8
	3.4	11.9	11.4
	4.1	12.2	12.5
1.0	2.1	9.4	4.2
	2.8	9.8	5.3
	3.4	10.1	6.1
	4.1	10.4	6.8
1.5	2.1	10.1	5.7
	2.8	10.7	6.8
	3.4	10.7	7.6
	4.1	11.0	8.3
2.0	2.1	10.1	6.8
	2.8	10.4	7.9
	3.4	11.0	9.1
	4.1	11.6	10.2
3.0	2.1	11.6	10.2
	2.8	12.2	11.7
	3.4	12.5	13.3
	4.1	12.5	14.8
4.0	2.1	11.6	13.3
	2.8	12.2	15.1
	3.4	13.1	16.7
	4.1	13.1	18.6
5.0	2.1	13.1	16.7
	2.8	13.1	18.9
	3.4	13.4	20.8
	4.1	12.8	22.3
6.0	2.1	12.2	18.9
	2.8	13.1	22.3
	3.4	13.1	25.0
	4.1	13.4	27.6
8.0	2.8	13.1	25.7
	3.4	14.3	29.9
	4.1	14.6	33.3
	4.8	14.3	26.7

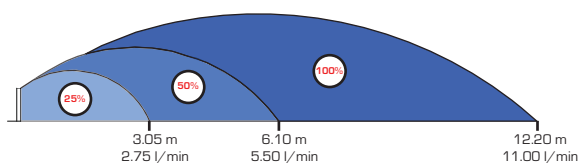
S075 D PERFORMANCES NOZZLES 11°

Nozzle	Bar	m (radius)	l/min
1.0 LA	2.1	7.9	3.4
	2.8	8.2	3.8
	3.4	8.2	4.5
	4.1	7.9	5.3
1.5 LA	2.1	8.5	4.9
	2.8	8.8	5.7
	3.4	9.1	6.4
	4.1	9.4	7.2
2.0 LA	2.1	8.8	7.2
	2.8	9.8	8.3
	3.4	10.1	9.5
	4.1	10.4	10.6
3.0 LA	2.1	9.8	9.5
	2.8	10.4	11.4
	3.4	10.7	13.3
	4.1	11.0	15.1

Code	Models	Box Qt.y	Box - cm
280.1160100	S075 D 3/4"	20	34x34x21
280.1180100	S075 D 3/4" ADS (INOX)	20	34x34x21
270.1009110	CHECK VALVE	n.a.	n.a.
270.1010509	ADJUSTMENT TOOL	n.a.	n.a.



Example of flow and distance adjustment (preinstalled nozzle 3). This nozzle at 3.4 bar the distance can be adjusted from 3.10 m up to 12.2 m and proportionally the flow will be from 2.75 up to 11 l/min



TAP TIMER

BATTERY CONTROLLER

24 VAC CONTROLLER

SENSOR

ELECTRIC VALVES

SPRINKLER

FITTINGS

ACCESSORIES

AGRICULTURE



S075 S

3/4" Rotors

DESCRIPTION

The S075 S Rotor with its patented flow control allows you to reduce the distance and flow rate proportionately for even water fall out and better zone performance. When turned off completely the riser stays popped up for quick nozzle changes or adjustments.

The S075 S is packed with innovative features: Partial to continuous 360° coverage, an interchangeable nozzle for superior spray patterns, patented Easy Arc Set and Arc Memory Clutch, which returns the rotor to its preset position automatically.

FEATURES AND BENEFITS

- Left position start – rotor rotates clockwise from fixed left start position
- Patented Arc Set Degree markings – Clearly indicates the current watering pattern and simplifies arc set adjustment
- Time proven patented reversing mechanism – Assures continuous reverse and return...over a 20 year history
- Ratcheting riser – allows for easy adjustment of your starting position with a simple turn of the riser
- Wide selection of nozzles – provides flexibility in system design
- Optional check valve – prevents low head drainage

SPECIFICATIONS

- Inlet: 3/4" F
- Arc Adjustment Range: 40° to 360°
- Flow Range: 1,9 - 53,4 l/m
- Operating pressure: 2,0 - 5,0 Bar
- Precipitation Rate: 0,3 to 2,9 cm per Hour
- Overall Height: 18,7 cm
- Recommended Spacing: 7,6 to 13,7 m
- Radius: 6,7 to 15,5 m
- Nozzle Trajectory: 25°
- Low Angle Nozzle Trajectory: 11°
- 8 standard and 4 Low Angle Nozzle Included
- Riser Height: 10,2 cm

1. 5 INTERCHANGEABLE NOZZLES



2. UNIVERSAL TOOL



3. CHECK VALVE



4. ARC SET DEGREE MARKING



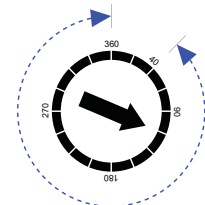
S075 S PERFORMANCES NOZZLES 26°				
Nozzle	Bar	m (radius)	l/min	
1	2.1	10.1	4.5	
	2.8	10.1	4.9	
	3.4	10.1	5.7	
	4.1	10.1	6.8	
1.5	2.1	11.0	5.7	
	2.8	11.3	6.8	
	3.4	11.3	7.6	
	4.1	11.6	8.3	
2	2.1	10.7	6.8	
	2.8	10.7	8.3	
	3.4	11.0	9.8	
	4.1	11.6	11.0	
2.5 Pre-Installed	2.1	11.3	9.5	
	2.8	11.6	11.4	
	3.4	12.2	12.9	
	4.1	12.2	14.4	
3	2.1	11.0	11.4	
	2.8	11.3	12.9	
	3.4	11.6	15.1	
	4.1	12.5	16.7	
4	2.1	11.3	15.1	
	2.8	11.9	17.0	
	3.4	11.9	19.7	
	4.1	12.2	21.2	
5	2.1	11.3	18.2	
	2.8	11.6	21.2	
	3.4	12.5	24.6	
	4.1	13.1	27.3	
6	2.1	12.2	22.7	
	2.8	12.5	25.7	
	3.4	12.8	28.4	
	4.1	13.4	31.8	
8	2.1	11.6	29.9	
	2.8	13.4	34.8	
	3.4	13.7	39.4	
	4.1	14.0	42.0	

S075 S PERFORMANCES NOZZLES 12°				
Nozzle	Bar	m (radius)	l/min	
1 LA	2.1	7.9	4.2	
	2.8	9.1	4.9	
	3.4	9.1	5.3	
	4.1	9.1	6.1	
3 LA	2.1	8.2	5.3	
	2.8	8.5	6.4	
	3.4	9.4	7.2	
	4.1	9.1	7.9	
4 LA	2.1	9.1	7.9	
	2.8	9.4	9.1	
	3.4	10.1	10.6	
	4.1	9.4	11.7	
6 LA	2.8	9.8	11.4	
	3.4	10.4	13.2	
	4.1	10.7	14.8	
	4.8	10.7	16.3	

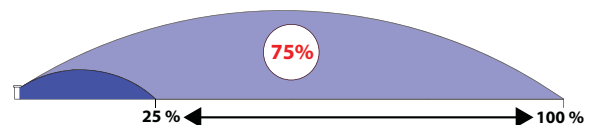
Code	Models	Box Qty	Box - cm
280.1170100	S075 S 3/4"	20	34x34x21
270.1009110	CHECK VALVE	n.a.	n.a.
270.1010519	ADJUSTMENT TOOL	n.a.	n.a.



ARC SET DEGREE MARKINGS



PROPORTIONAL WATER FLOW & DISTANCE ADJUSTMENT





S100

1" Rotors

DESCRIPTION

The S100 comes standard with a unique triple nozzle configuration, consisting of a primary nozzle for long distance and two secondary nozzles for mid-range and short distance coverage. This nozzle design provides even water distribution from 45' to 77'. Available in a high speed version, ideal for quick wet downs and dust control.

FEATURES AND BENEFITS

- Revolutionary Patented Top Arc Set – Simplified arc set allows for wet or dry adjustment in seconds.
- Triple Nozzle Configuration – Ensures even distribution of water.
- 2N1 Adjustable or Continuous Rotation – Provides a full range of adjustment from 40° to a continuous full circle.
- Top Arc Set Degree Markings – Clearly indicates the current watering pattern and simplifies arc set adjustment
- Arc Memory Clutch – Prevents internal gear damage and returns rotor to its prior setting automatically if nozzle turret is forced past stop.
- Time Proven Patented Reversing Mechanism – Assures continuous reverse and return...over a 35 year history
- Ratcheting Riser – Allows for easy adjustment of your fixed starting position with a simple turn of the riser.
- Heavy Duty Rubber Cover and Mud Guard – Protects against physical injury and reduces liability, allows sprinkler to be installed below grade.
- Factory Installed Check Valve – Prevents low head drainage.

1. 5 INTERCHANGEABLE NOZZLES



2. UNIVERSAL TOOL



3. CHECK VALVE



4. ARC SET DEGREE MARKING



PRO SPORT PERFORMANCES			
Nozzle	Bar	m (radius)	l/min
5	2.76	13.7	19.3
	3.45	14.3	22.3
	4.14	14.3	24.6
	4.83	14.9	26.9
10	3.45	16.2	40.1
	4.14	15.9	44.3
	4.83	16.2	47.7
	5.52	16.8	51.1
15	3.45	17.4	49.2
	4.14	18.0	53.8
	4.83	18.0	58.3
	5.52	19.2	62.5
20	4.14	19.8	71.5
	4.83	20.4	77.6
	5.52	21.0	82.9
	6.21	21.6	87.8
25 Pre-Installed	4.14	20.4	86.3
	4.83	21.6	93.9
	5.52	22.9	100.3
	6.21	23.5	101.4
30	4.14	20.4	89.7
	4.83	21.0	96.9
	5.52	21.0	104.1
	6.21	21.6	110.5

PRO SPORT HS PERFORMANCES			
Nozzle	Bar	m (radius)	l/min
5	2.76	13.1	22.3
	3.45	13.4	23.4
	4.14	13.7	24.2
	4.83	13.7	28.7
10	3.45	14.9	40.1
	4.14	15.8	44.2
	4.83	16.1	50.3
	5.52	16.4	52.9
15	3.45	15.85	46.9
	4.14	16.4	58.6
	4.83	17.0	55.2
	5.52	17.6	60.1
20	4.14	17.0	66.2
	4.83	17.6	71.7
	5.52	17.9	78.7
	6.21	18.2	82.1
25 Pre-Installed	4.14	17.9	84.7
	4.83	20.1	97.2
	5.52	20.4	105.2
	6.21	20.7	113.1
30	4.14	18.2	95.3
	4.83	21.9	107.8
	5.52	22.2	116.5
	6.21	22.8	123.0

SPECIFICATIONS

- Inlet: 1" F
- Arc Adjustment Range: 40° to 360°
- Flow Range: 19,3 - 123,0 l/m
- Operating pressure: 2,76 - 6,21 Bar
- Precipitation Rate: 1.5 to 12.0 mm per Hour
- Overall Height: 24,13 cm
- Recommended Spacing: 12,20 to 19,80 m
- Radius: 13,71 to 23,46 m
- Nozzle Trajectory: 26°
- 6 standard Nozzle Included
- Riser Height: 10,0 cm

Code	Models	Box Qt.y	Box - cm
270.1010400	PRO SPORT 1" - ABS POP-UP	12	n.a.
270.1010450	PRO SPORT 1" - INOX POP-UP	n.a.	n.a.
270.1010460	PRO SPORT 1" - INOX POP-UP - HIGH SPEED	n.a.	n.a.
270.1010519	ADJUSTMENT TOOL	n.a.	n.a.
270.1010511	KIT NOZZLES	n.a.	n.a.





K-ROTARY

1/2" Rrotary

DESCRIPTION

ADJUSTABLE ROTARY NOZZLES

Rotary Nozzles, designed to fit into a standard pop-up spray head, provide increased uniform coverage over conventional fixed pattern spray nozzles while delivering matched precipitation. The highly efficient water delivery reduces soil erosion and runoff, saving water and money. Rotary Nozzles are the perfect solution for low water pressure areas. They are designed to operate at lower pressure while still delivering precise, even coverage.

FEATURES AND BENEFITS

- Matched Precipitation—Across every arc and radius
- Low Precipitation Rate—Reduces run off
- Low Flow Rate—Less material, fewer zones
- 25% Radius Reduction—Patented flow control, no tools required
- Unique Speed Control—Maintains speed of rotation over varying pressure ranges
- Multiple Stream Technology—Provides improved wind resistance
- Flexible Usage—Any pattern can be combined in the same zone with matched precipitation
- Large Filter—Prolongs product life
- System Flexibility—Can be Installed on the same zone with rotors

SPECIFICATIONS

- Inlet: 1/2"
- Operating pressure: 1,7 – 3,4 Bar
- Recommended Spacing:

Rotary 100 2.4 – 4.2 m

Rotary 200 4.2 – 6.3 m

Rotary 300 6.6 – 8.4 m

Code	Models	Pac.Qty	Box Qty
270.1000360	ROTARY 100 360°	10	250
270.1090270	ROTARY 100 90°-270°	10	250
250.2000360	ROTARY 200 360°	10	250
250.2090270	ROTARY 200 90°-270°	10	250
270.3000360	ROTARY 300 360°	10	250
270.3090270	ROTARY 300 90°-270°	10	250
270.1700110	ROTARY RNS LES 515 (left strip)	10	250
270.1700120	ROTARY RNS SS 530 (side strip)	10	250
250.1700130	ROTARY RNS RES 515 (right strip)	10	250

Performance Data - Special Patterns

PATTERN	NOZZLE	PRESSURE Bars	WIDTH X LENGTH Meters	FLOW RATE L/M
Right End Strip	RNS-RES-515 Burnt Orange	2.06	1.22 x 4.6	1.14
		2.46	1.5 x 4.6	1.21
		2.75	1.5 x 4.6	1.32
		3.10	1.8 x 4.9	1.43
		3.45	1.8 x 4.9	1.51
Left End Strip	RNS-LES-515 Olive	2.06	1.22 x 4.6	1.14
		2.46	1.5 x 4.6	1.21
		2.75	1.5 x 4.6	1.32
		3.10	1.8 x 4.6	1.43
		3.45	1.8 x 4.9	1.51
Side Strip	RNS-SS-530 Brown	2.06	1.22 x 8.8	1.80
		2.46	1.5 x 9.1	2.08
		2.75	1.5 x 9.1	2.30
		3.10	1.8 x 9.4	2.46
		3.45	2.1 x 9.7	2.64

*Data represents test results in zero wind. Adjust for local conditions.
Radius may be reduced with the nozzle retention screw.

RN100-ADJ-90-270 (MEDIUM GREEN)

ARC	PRESSURE Bars	RADIUS M.	FLOW RATE L/M
90°	2.07	3.96	0.83
	2.41	4.27	0.91
	2.76	4.27	0.94
	3.10	4.57	1.10
	3.45	4.57	1.13
180°	2.07	3.96	1.66
	2.41	4.27	1.78
	2.76	4.27	1.89
	3.10	4.57	2.19
	3.45	4.57	2.27
270°	2.07	3.96	2.50
	2.41	4.27	2.69
	2.76	4.27	2.84
	3.10	4.57	3.25
	3.45	4.57	3.40

RN300-ADJ-90-270 (MEDIUM GREY)

ARC	PRESSURE Bars	RADIUS M.	FLOW RATE L/M
90°	2.07	7.92	3.03
	2.41	7.92	3.22
	2.76	8.23	3.40
	3.10	8.53	3.59
	3.45	8.53	3.78
180°	2.07	7.92	5.30
	2.41	8.23	5.68
	2.76	8.23	6.05
	3.10	8.84	6.43
	3.45	9.14	6.81
270°	2.07	7.92	9.27
	2.41	8.23	9.65
	2.76	8.53	10.41
	3.10	8.53	10.98
	3.45	8.23	11.73

RN200-ADJ-90-270 (MEDIUM BLUE)

ARC	PRESSURE Bars	RADIUS M.	FLOW RATE L/M
90°	2.07	4.87	1.29
	2.41	5.18	1.44
	2.76	5.48	1.55
	3.10	5.79	1.59
	3.45	5.79	1.78
180°	2.07	4.87	2.53
	2.41	5.18	2.84
	2.76	5.48	3.14
	3.10	5.79	3.18
	3.45	5.79	3.56
270°	2.07	4.87	3.82
	2.41	5.18	4.28
	2.76	5.48	4.69
	3.10	5.48	4.77
	3.45	5.79	5.34

RN100-FIX360 (LIGHT GREEN)

ARC	PRESSURE Bars	RADIUS M.	FLOW RATE L/M
360°	2.07	3.96	3.33
	2.41	4.27	3.56
	2.76	4.27	3.78
	3.10	4.57	4.35
	3.45	4.57	4.54

ARC	PRESSURE Bars	RADIUS M.	FLOW RATE L/M
360°	2.07	7.92	11.73
	2.41	8.23	12.11
	2.76	8.53	13.25
	3.10	8.53	13.43
	3.45	9.1	14.00

ARC	PRESSURE Bars	RADIUS M.	FLOW RATE L/M
360°	2.07	4.87	5.07
	2.41	5.18	5.68
	2.76	5.48	6.24
	3.10	5.79	6.36
	3.45	5.79	7.11



PRESTAZIONI SUPER 635			
Nozzle	Bar	m (raggio)	l/min
104	2.0	20.5	102
	3.0	23	124
	4.0	26	144
	5.0	28.5	165
124	2.0	21	127
	3.0	24	156
	4.0	27	180
	5.0	30	201
144	2.0	21.5	173
	3.0	26.5	212
	4.0	30.5	245
	5.0	33.5	274
164	2.0	22.0	225
	3.0	28.5	276
	4.0	31.5	319
	5.0	33.5	357



SUPER 635

1" 1/2 Rotors

DESCRIPTION

Pop-Up sprinkler for large gardens and parks, manufactured with shock proof outer case and rubber cover. Technically built as a turbine big irrigun, it grant a long radius, and it is particularly suitable for golf courses and football grounds. Because the big diameter of pipe and sleeve, it do not mount filter (to avoid obstruction), and there is not water passage through the gears. The external spinner and the jetbreaker, grant the best water distribution.

FEATURES AND BENEFITS

- Inlet: 1"1/2
- Arc Adjustment Range: 40° to 360°
- Flow Range: 102 - 496 l/m
- Operating pressure: 2,0 - 6,0 Bar
- Overall Height: 52,0 cm
- Recommended Spacing: 20,0 to 35,0 m
- Radius: 20,0 to 35,0 m
- 5 standard Nozzle Included
- Riser Height: 18,0 cm

Code	Models
250.6010442	SUPER 635 1"1/2
250.6110442	SUPER 635 1"1/2



SUPER 645 1"1/2 PRESTAZIONI			
Nozzle	Bar	m (raggio)	l/min
166	3.0	29.5	314
	4.0	32.5	364
	5.0	35.0	406
	6.0	37.0	446
186	3.0	31.0	350
	4.0	34.0	405
	5.0	37.0	452
	6.0	39.0	496
206	4.0	35.0	545
	5.0	39.0	609
	6.0	43.0	668
	7.0	44.0	721
226	4.0	36.0	649
	5.0	39.5	726
	6.0	44.0	795
	7.0	47.0	859



SUPER 645

2" Rotors

DESCRIPTION

POP-UP sprinkler for sportfields. Manufactured as a big irrigun, it allows a large radius of irrigation and can be used on sportfields for football rugby hockey-soccer - baseball. The large radius allows the installation at the external of the fields, avoiding damages for players at the internal. It can work with high pressure for maximum distance. A special internal rubber folding top, avoids the passage of powder, sand and dirty water around the telescopic pipe.

FEATURES AND BENEFITS

- Inlet: 2"
- Arc Adjustment Range: 40° to 360°
- Flow Range: 314 - 1262 l/m
- Operating pressure: 3,0 - 8,0 Bar
- Recommended Spacing: 30,0 to 50,0 m
- Radius: 29,5 to 50,0 m
- 6 standard Nozzle Included

Code	Models
250.6010506	SUPER 645 2"

TAP TIMER

BATTERY CONTROLLER

24 VAC CONTROLLER

SENSOR

ELECTRIC VALVES

SPRINKLER

FITTINGS

ACCESSORIES

AGRICULTURE



1/2" PLASTIC SPRINKLER

TECHNICAL INFORMATION

- Available in 1/2" BSPT M threaded
- Color coded nozzles for easy size identification.
- Nozzle Bayonet connection for easy service in field conditions.
- Nozzles with integrated stream straightening vane for long range.
- Engineering Plastic material for durability and corrosion resistant.
- Pivot pin and Springs made of Stainless steel.
- Part circle assembly made by pedal grade plastic material for longevity.
- Recommended Pressure 2.0 - 4.0 bar or 30 - 55 Psi
- Recommended spacing up to 8m for higher distribution uniformity.
- Trajectory Angle: 25°

Code	Models
250.1513700	1/2" Plastic Full Circle Sprinkler - NOZZLES KIT
250.1513731	1/2" Plastic Part Circle Sprinkler - NOZZLES KIT

250.1513731 1/2"				250.1513700 1/2"			
Nozzle	Bar	m (diameter)	l/min	Nozzle	Bar	m (diameter)	l/min
2.5	2.0	21.0	6.10	2.9x1.8	2.0	20.0	10.08
	2.5	22.0	6.80		2.5	20.4	11.25
	3.0	21.6	7.40		3.0	20.8	12.33
	3.5	22.6	8.00		3.5	21.0	13.33
2.9	2.0	23.0	7.60	3.2x1.8	2.0	21.0	11.94
	2.5	23.0	8.50		2.5	21.6	13.43
	3.0	23.0	9.30		3.0	21.6	14.78
	3.5	23.0	10.10		3.5	22.0	15.86
3.2	2.0	22.0	9.40	3.5x2.4	2.0	21.6	16.67
	2.5	23.0	10.50		2.5	22.0	18.91
	3.0	23.0	11.55		3.0	22.4	20.83
	3.5	23.5	12.45		3.5	23.0	22.50
3.5	2.0	22.0	11.70	4.0x2.4	2.0	22.0	19.08
	2.5	23.0	13.10		2.5	22.4	21.25
	3.0	24.0	14.30		3.0	23.0	23.58
	3.5	25.0	15.40		3.5	23.6	25.67



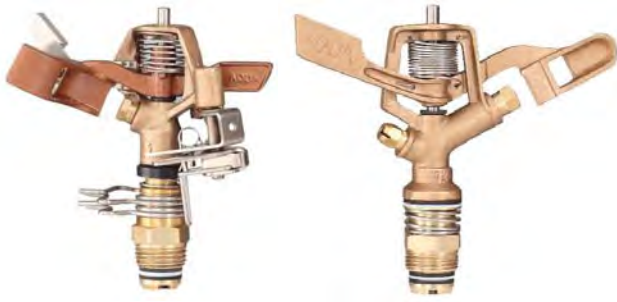
3/4" PLASTIC SPRINKLER

TECHNICAL INFORMATION

- Available in 3/4" BSPT M threaded
- Color coded nozzles for easy size identification.
- Nozzle Bayonet connection for easy service in field conditions.
- Nozzles with integrated stream straightening vane for long range.
- Engineering Plastic material for durability and corrosion resistant.
- Pivot pin and Springs made of Stainless steel.
- Part circle assembly made by pedal grade plastic material for longevity.
- Recommended Pressure 2.0 - 4.0 bar or 30 - 55 Psi
- Recommended spacing up to 8m for higher distribution uniformity.
- Trajectory Angle: 25°

Code	Models
250.1512700	3/4" Plastic Full Circle Sprinkler - NOZZLES KIT
250.1512730	3/4" Plastic Part Circle Sprinkler - NOZZLES KIT

250.1512730 3/4"				250.1512700 3/4"			
Nozzle	Bar	m (diameter)	l/min	Nozzle	Bar	m (diameter)	l/min
3.96 verde	2.0	23.0	18.5	3.96 verde	2.0	22.5	18.5
	3.0	26.4	22.4		3.0	25.5	22.4
	4.0	28.4	26.5		4.0	28.8	26.5
4.36 grigio	2.0	24.4	21.5	4.36 grigio	2.0	26.8	22.0
	3.0	27.8	25.7		3.0	29.8	25.7
	4.0	29.4	30.4		4.0	32.3	30.4
4.76 giallo	2.0	26.8	29.4	4.76 giallo	2.0	28.0	28.0
	3.0	29.2	36.0		3.0	31.1	36.0
	4.0	30.4	42.6		4.0	33.5	42.0
5.15 nero	2.0	29.2	36.3	5.15 nero	2.0	28.7	32.0
	3.0	30.4	44.5		3.0	32.0	40.0
	4.0	32.4	49.3		4.0	34.1	47.0



1/2" METAL SPRINKLER

TECHNICAL INFORMATION - PART CIRCLE

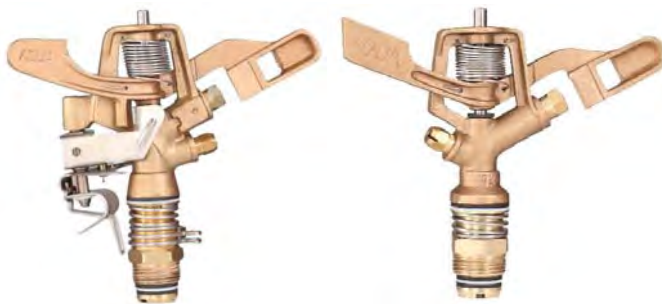
- Available in 1/2" BSP/NPT Male Thread Connection
- Bronze Body & Arm
- Brass Bearing Sleeve & Nipple
- Stainless Steel Springs & Pivot Pin
- Trajectory Angle 27°
- Part Circle Operation ranging from 20 to 340

Code	Models
270.1300021	1/2" Metal Sprinkler
270.1300051	1/2" Part Circle Metal Sprinkler

TECHNICAL INFORMATION - FULL CIRCLE

- Available in 1/2" BSP/NPT Male Thread Connection
- Bronze Body & Arm
- Brass Bearing Sleeve & Nipple
- Stainless Steel Springs & Pivot Pin
- Trajectory Angle 27°

PERFORMANCES			
NOZZLE	Bar	m	l/min
FULL 360°	2.5	11.2	13.2
	3.0	11.5	14.45
	3.5	12.0	15.55
	4.0	12.5	16.70
PART CIRCLE	2.00	10.6	9.58
	2.50	11.2	10.8
	3.00	11.5	11.6
	3.50	11.9	12.8



3/4" METAL SPRINKLER

TECHNICAL INFORMATION - PART CIRCLE

- Available in 3/4" BSP/NPT Male Thread Connection
- Bronze Body & Arm
- Brass Bearing Sleeve & Nipple
- Stainless Steel Springs & Pivot Pin
- Trajectory Angle 27°
- Part Circle Operation ranging from 20 to 340

Code	Models
270.1300031	3/4" Part Circle Metal Sprinkler
270.1300071	3/4" Metal Sprinkler

TECHNICAL INFORMATION - FULL CIRCLE

- Available in 3/4" BSP/NPT Male Thread Connection
- Bronze Body & Arm
- Brass Bearing Sleeve & Nipple
- Stainless Steel Springs & Pivot Pin
- Trajectory Angle 27°

PERFORMANCES			
	Bar	m	l/min
PART CIRCLE	2.07	10.6	9.0
	2.41	11.1	9.5
	2.76	11.6	10.3
	3.45	12.0	11.6

PERFORMANCES			
	Bar	m	l/min
FULL	2.11	13.5	34.1
	2.46	14.5	36.8
	2.81	16.0	40.7
	3.16	16.5	43.2



TAP TIMER

BATTERY CONTROLLER

24 VAC CONTROLLER

SENSOR

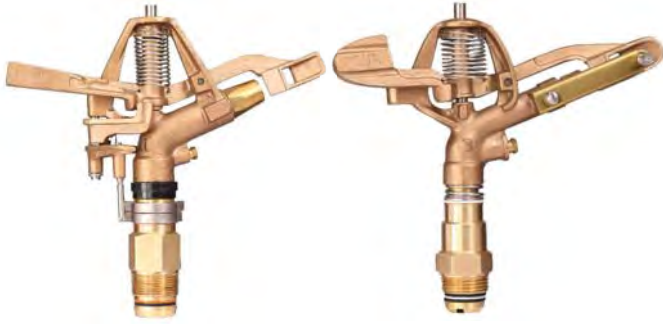
ELECTRIC VALVES

SPRINKLER

FITTINGS

ACCESSORIES

AGRICULTURE



Code	Models
270.130040	1" Part Circle Metal Sprinkler
270.130041	1" Metal Sprinkler

1" METAL SPRINKLER

TECHNICAL INFORMATION - PART CIRCLE

- Available in 1" BSP/NPT Male Thread Connection
- Bronze Body & Arm
- Brass Bearing Sleeve & Nipple
- Stainless Steel Springs & Pivot Pin
- Both Part Circle & Full Circle operations possible
- Part Circle Operation ranging from 20 to 340
- Trajectory Angle 23"

TECHNICAL INFORMATION - FULL CIRCLE

- Available in 1" BSP/NPT Male Thread Connection
- Bronze Body & Arm
- Brass Bearing Sleeve & Nipple
- Stainless Steel Springs & Pivot Pin
- Both Part Circle & Full Circle operations possible
- Trajectory Angle 23"

PERFORMANCES			
	Bar	m	l/min
	2.76	17.4	62.5
	3.45	18.3	70.0
	4.48	20.3	79.5
	5.17	21.6	85.4



Code	Models
270.1300401	1"1/4 Part Circle Metal Sprinkler
270.1300414	1"1/4 Metal Sprinkler

1"1/4 METAL SPRINKLER

TECHNICAL INFORMATION - PART CIRCLE

- Available in 1"1/4 BSP/NPT Male Thread Connection
- Law Angle 18° mode I also available
- Bronze Body and Arm
- Brass Bearing Sleeve and Nipple
- Stainless Steel Springs and Pivot Pin
- Part Circle Operation ranging from 20° to 340°
- Trajectory Angle 23°

TECHNICAL INFORMATION - FULL CIRCLE

- Available in 1"1/4 BSP/NPT Male Thread Connection
- Pressure Die Cast Aluminium Body & Arm
- Works on low operating pressure also
- Brass Bearing Sleeve & Nipple
- Stainless Steel Springs & Pivot Pin
- Trajectory Angle 23°

PERFORMANCES			
	Bar	m	l/min
	3.00	24.7	148.6
	4.00	26.8	172.0
	5.00	29.4	192.0
	6.00	31.2	210.4



1/2" SPRINKLERS



AQ-5LA7 / AQ-5LA15

- Available in 1/2" BSP/NPT Male Thread Connection
- Bronze Body & Arm
- Brass Bearing Sleeve & Nipple
- Stainless Steel Springs and Pivot Pin
- AQ-5LA7 - Low Trajectory Angle 7°
- AQ-5LA15 - Low Trajectory Angle 15°



AQ-5WLA7 / AQ-5WN23

- Available in 1/2" BSP/NPT Male Thread Connection
- Wedge Drive Sprinkler
- Bronze Body & Arm
- Brass Bearing Sleeve & Nipple
- Stainless Steel Springs and Pivot Pin
- AQ-5WLA7 - Low Trajectory Angle 7°
- AQ-5WN23 - Low Trajectory Angle 23°



AQ-05PC 270.1300051

- Available in 1/2" BSP/NPT Male Thread Connection
- Bronze Body & Zamac pressure die casted arm
- Brass Bearing Sleeve & Nipple
- Stainless Steel Trip Mechanism
- Both Part Circle & Full Circle operations possible
- Part Circle Operation ranging from 20° to 340°
- Trajectory Angle 25°
- For agricultural use, bronze arm sprinkler also available



AQ-22 250.1513700

- Available in 1/2" Male Thread Connection
- Color coded nozzles for easy identification of size
- Body, Arm, Bearing & Nozzles made of Delrin for durability
- Specially designed Bayonet nozzles
- Stainless Steel Springs & Pivot Pin
- Trajectory Angle 24°



AQ-22LA / 22LAW

- Available in 1/2" Male Thread Connection
- Color coded nozzles for easy identification of size
- Body, Arm, Bearing & Nozzles made of engineering plastic (Delrin) for durability
- Specially designed Bayonet Nozzles
- Stainless Steel Springs & Pivot Pin
- Trajectory Angle available in 9°, 12° & 14°
- For low pressure application, wedge drive sprinkler (120) also available



AQ-22PC 250.1513731

- Available in 1/2" Male Thread Connection
- Body Arm, Bearing & Nozzles made of engineering plastic (Delrin) for durability
- Specially designed Bayonet nozzles
- Stainless Steel Springs & Pivot Pin
- Both Part/Full Circle operations possible
- Part Circle Operation ranging from 15° to 345°
- Trajectory Angle 25°

3/4" SPRINKLERS



AQ-20CS

- Available in 3/4" BSP/NPT Male Thread Connection
- Bronze Body & Arm
- Brass Bearing Sleeve & Nipple
- Stainless Steel Springs & Pivot Pin
- Trajectory Angle 27°
- Available in low Trajectory Angle 10° also (For better coverage in wind conditions)



AQ-20AF 270.1300037

- Available in 3/4" BSP/NPT Male Thread connection
- Bronze Body & Arm
- Brass Bearing Sleeve & Nipple
- Stainless Steel Springs & Pivot Pin
- Cap made of LLDPE for durability
- Anti frost model
- Trajectory Angle 27°



AQ-20PC 270.1300031

- Available in 3/4" BSP/NPT Male Thread connection
- Bronze Body & Arm
- Brass Bearing Sleeve & Nipple
- Stainless Steel Springs & Pivot Pin
- Stainless Steel Trip Mechanism
- Both Part Circle & Full Circle operations possible
- Part Circle Operation ranging from 20° to 340°
- Trajectory Angle 25°



AQ-25

- Available in 3/4" BSP/NPT Male Thread Connection
- Bronze Body & Arm
- Brass Bearing Sleeve & Nipple
- Stainless Steel Springs & Pivot Pin
- Trajectory Angle 27°
- Available in low Trajectory Angle 10° also (For better coverage in wind conditions)



AQ-46 250.1512700

- Available in 3/4" BSP/NPT Male Thread connection
- Bronze Body & Arm
- Brass Bearing Sleeve & Nipple
- Stainless Steel Springs & Pivot Pin
- Cap made of LLDPE for durability
- Anti frost model
- Trajectory Angle 27°



AQ-46PC 250.1512730

- Available in 3/4" BSP/NPT Male Thread connection
- Bronze Body & Arm
- Brass Bearing Sleeve & Nipple
- Stainless Steel Springs & Pivot Pin
- Stainless Steel Trip Mechanism
- Both Part Circle & Full Circle operations possible
- Part Circle Operation ranging from 20° to 340°
- Trajectory Angle 25°

TAP TIMER

BATTERY CONTROLLER

24 VAC CONTROLLER

SENSOR

ELECTRIC VALVES

SPRINKLER

FITTINGS

ACCESSORIES

AGRICULTURE

SPECIAL SPRINKLERS



AQ-23

- Available in 1/2" Male & 3/4" Female BSP/NPT Thread
- Zamac pressure die casted Body & Arm
- Brass Bearing Sleeve & Nipple
- Stainless Steel Spring & Pivot Pin
- Specially designed Bayonet Nozzels for different water applications
- Trajectory Angle 30°



AQ-15

- Available in 1/2" or 3/4" BSP/NPT Female Thread
- Zamac pressure die casted Body & Arm
- Brass Bearing Sleeve & Nipple
- Brass Bearing Sleeve & Nipple
- Stainless Steel Spring & Pivot Pin
- Plastic parts made of engineering plastic (Delrin) for durability
- Trajectory Angle 30°



AQ-35

- Available in 1" BSP/NPT Female Thread Connection
- Zamac pressure die casted body & cast brass arm
- Brass Bearing Sleeve & Nipple
- Stainless Steel Springs & Pivot Pin
- Spool made of engineering plastic (Delrin for durability)
- Trajectory Angle 30°

1" - 1 1/4" SPRINKLERS



AQ-30

- Available in 1" BSP/NPT Female Thread Connection
- Bronze Body & Arm
- Brass Bearing Sleeve & Nipple
- Stainless Steel Pivot Pin & Springs
- Trajectory Angle : 27°



AQ30P

- Available in 1" BSP/NPT Female Thread Connection
- Body, Arm & Bottom Bearing made of engineering plastic (Delrin) for durability
- Brass Nozzles
- Stainless Steel Spring & Pivot Pin
- Trajectory Angle 25°



AQ-30B 270.1300041

- Available in 1" BSP/NPT Male Thread Connection
- Bronze Body & Arm
- Brass Bearing Sleeve & Nipple
- Stainless Steel Springs & Pivot Pin
- Trajectory Angle 23°



AQ-30BPC 270.1300040

- Available in 1" BSP/NPT Male Thread Connection
- Bronze Body & Arm
- Brass Bearing Sleeve & Nipple
- Stainless Steel Springs & Pivot Pin
- Both Part Circle & Full Circle operations possible
- Part Circle Operation ranging from 20° to 340°
- Trajectory Angle 23°



AQ-40B 270.1300414

- Available in 1 1/4" BSP/NPT Male Thread Connection
- Low Angle 18° model also available
- Bronze Body and Arm
- Brass Bearing Sleeve and Nipple
- Stainless Steel Springs and Pivot Pin
- Trajectory Angle 23°



AQ-40BPC 270.1300401

- Available in 1 1/4" BSP/NPT Male Thread Connection
- Low Angle 18° model also available
- Bronze Body and Arm
- Brass Bearing Sleeve and Nipple
- Stainless Steel Springs and Pivot Pin
- Part Circle Operation ranging from 20° to 340°
- Trajectory Angle 23°

ALUMINUM SPRINKLER & WATER GUNS



AQ-40M

- Available in 1 1/4" BSP/NPT Male Thread Connection
- Pressure Die Cast Aluminium Body & Arm
- Works on low operating pressure also
- Brass Bearing Sleeve & Nipple
- Stainless Steel Springs & Pivot Pin
- Trajectory Angle 23°



AQ-40G

- Available in 1 1/4" BSP/NPT Female Thread Connection
- Both Part Circle & Full Circle adjustments
- Adjustable Jet breaker to provide uniform distribution
- Equipped with 3 interchangeable nozzles of different sizes for various applications
- Trajectory Angle 30°



AQ-42G

- Available in 1 1/2" BSP/NPT Female Thread Connection
- Both Part Circle & Full Circle adjustments
- Adjustable Jet breaker to provide uniform distribution
- Equipped with 3 interchangeable nozzles of different sizes for various applications
- Trajectory Angle 2°

STANDARD DRIP LINE

FEATURES AND BENEFITS

A quick, simple system to water flower beds and vegetable gardens efficiently and without wasting resources.

The water is dispensed by the labyrinth drippers integrated into the hose, moistening the soil near the roots, minimising waste due to evaporation. Flexible and made with high quality material, its brown colour camouflages it on the soil. 1/2" (13 - 16 mm) polyethylene tube. Fitted with internal 2 l/h labyrinth drippers at 33 cm intervals which ensure even irrigation over the entire cultivated area. Reduced water consumption: operating 0,5 - 1 bar.

TECHNICAL INFORMATION

- Range di 2.2 l/h
- Drip pitch: 0.3 m
- Operating pressure: 0.8 – 2.5 bar
- Pipe diameter: 16 mm
- Pipe gauge: 0.9 mm



Code	Models
500.0136500	STANDARD DRIP LINE BLACK 25 M
500.0136600	STANDARD DRIP LINE BLACK 50 M
800.5020450	STANDARD DRIP LINE BLACK 100 M
800.5020125	STANDARD DRIP LINE BROWN 25 M
800.5010103	STANDARD DRIP LINE BROWN 50 M
800.5020102	STANDARD DRIP LINE BROWN 100 M

Tabella lunghezze massime per ala gocciolante STANDARD									
Gocciolatore	Passo Gocciolatori (cm)								Distanza [m]
	0.20	0.30	0.40	0.50	0.60	0.70	1.00	1.50	
16/1.4	63	84	103	120	136	158	190	248	
16/2.2	45	60	73	86	97	113	136	177	
16/3.1	36	49	60	71	71	93	113	147	

(Pressione di esercizio = 2.0 atm; Dislivello = 0%)



Code	Models
800.5030102	PC DRIP LINE BROWN 25 M
800.5030101	PC DRIP LINE BROWN 50 M
800.5020103	PC DRIP LINE BROWN 100 M
800.5010400	PC DRIP LINE BROWN 400 M

PC DRIP LINE

FEATURES AND BENEFITS

Drippers consists of a cylinder with a labyrinthine-like water passage, filter and diaphragm. The dripper continuously adjusts to varying water pressure ensuring a constant flow rate.

Earth-line brown PC drip-line can be covered with mulch, used below or above the ground.

TECHNICAL INFORMATION

- Range di 2.2 l/h
- Drip pitch: 0.3 m
- Operating pressure: 0.8 – 2.5 bar
- Pipe diameter: 16 mm
- Pipe gauge: 0.9 mm



Tabella lunghezze massime per ala gocciolante AUTOCOMPENSANTE									
Gocciolatore	Passo Gocciolatori (cm)								Distanza [m]
	0.20	0.30	0.40	0.50	0.60	0.70	1.00	1.50	
16/1.4	112	161	206	249	289	344	430	582	
16/2.2	97	138	176	212	245	291	362	488	
16/3.1	68	98	126	152	176	211	264	357	
20/1.4	168	241	308	371	431	515	642	869	
20/2.2	151	214	272	326	376	446	552	738	
20/3.1	102	147	188	227	263	315	394	534	

(Pressione di esercizio = 4.3 atm; Dislivello = 0%)





PVC MANIFOLD MULTI PORTS 1"

DESCRIPTION

The great success of 1" Manifolds system with OR is due to a simple word: "easy-to-install".

TECHNICAL INFORMATION

- Made of PVC
- PN12
- Completely automatic assembling
- Packed in plastic bags of 1 piece each
- BSP

Code	Models
145.2000000	MANIFOLD SYSTEM 2 PORTS 1": Swivel x M x Swivel (2)
145.3000000	MANIFOLD SYSTEM 3 PORTS 1": Swivel x M x Swivel (3)
145.4000000	MANIFOLD SYSTEM 4 PORTS 1": Swivel x M x Swivel (4)
145.1000000	CAP 1"
143.1000915	PP BALL VALVE 1" M x UN

1. ORING FOR ANTILEAK SEAL



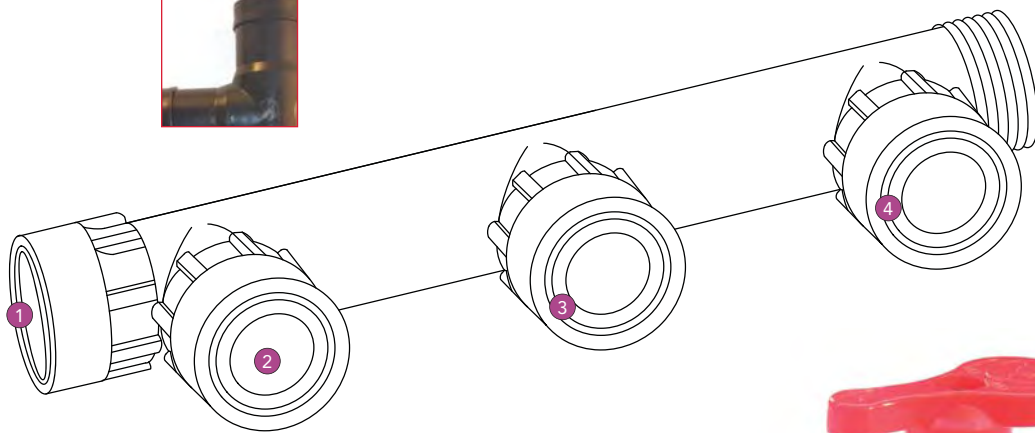
3. VALVE UNION CONNECTION



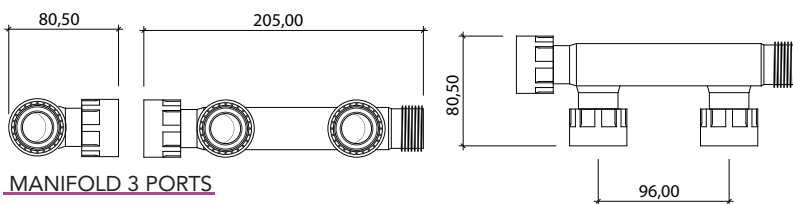
2. WIDE INTERNAL DIAMETER



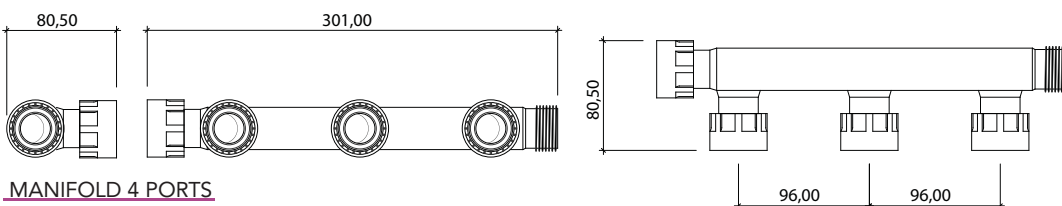
4. STRONG UNION PAWL



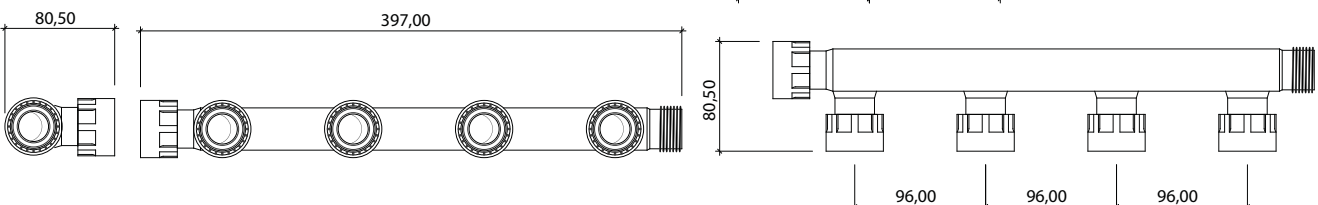
MANIFOLD 2 PORTS



MANIFOLD 3 PORTS



MANIFOLD 4 PORTS



PVC MANIFOLD 1"

Family of PVC fittings 1" with OR

TECHNICAL INFORMATION

- Made of PVC
- PN12
- Completely automatic assembling
- Packed in plastic bags of 1 piece each
- BSP



Code	Models
145.1100000	TEE FxFxM 1"
145.8100000	CROSS FxFxFxM 1"
145.8000000	CROSS FxFxFxF 1"
145.7000000	ELBOW FxF 1"
145.7100000	ELBOW FxM 1"
600.5002015	NIPPLE 1"
145.6100000	ADAPTOR FxM 1"
145.6000000	COUPLING FxF 1"
600.5002020	NIPPLE 1" x 3/4"

1. ORING FOR ANTILEAK SEAL



3. VALVE UNION CONNECTION



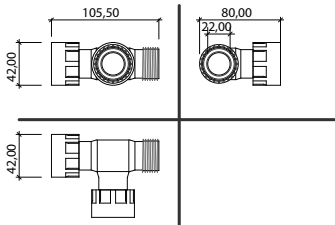
2. WIDE INTERNAL DIAMETER



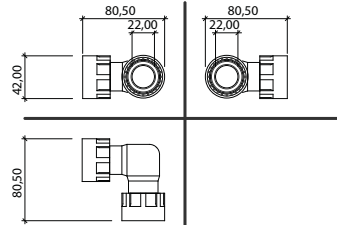
4. STRONG UNION PAWL



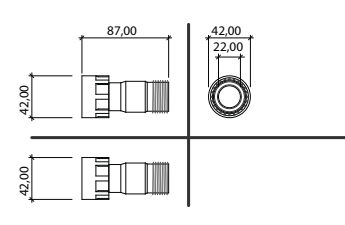
TEE FxFxM 1"



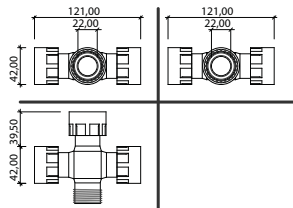
ELBOW FxF 1"



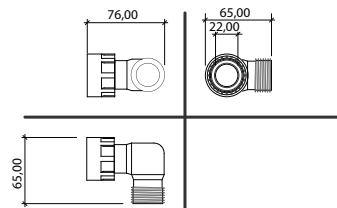
ADAPTOR FxM 1"



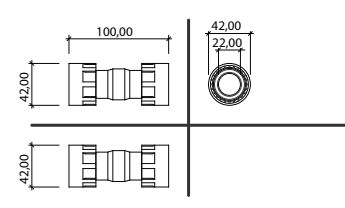
CROSS FxFxFxM 1"



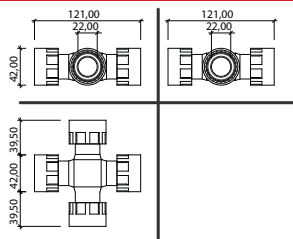
ELBOW FxM 1"



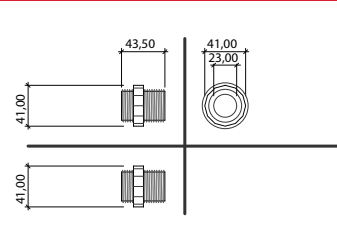
COUPLING FxF 1"



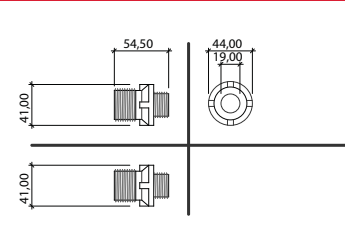
CROSS FxFxFxF 1"



NIPPLE 1"



NIPPLE 1" x 3/4"



TAP TIMER

BATTERY
CONTROLLER

24 VAC
CONTROLLER

SENSOR

ELECTRIC
VALVES

SPRINKLER

FITTINGS

ACCESSORIES

AGRICULTURE



PVC MANIFOLD 1"1/2 & 2"

Family of PVC fittings 1"1/2 & 2" with OR

TECHNICAL INFORMATION

- Made of PVC
- PN12
- Completely automatic assembling
- Packed in plastic bags of 1 piece each
- BSP

Code	Models
146.1100000	TEE FxFxM 1"1/2
147.1100000	TEE FxFxM 2"
146.8100000	CROSS FxFxFxM 1"1/2
147.8100000	CROSS FxFxFxM 2"
146.7000000	ELBOW FxF 1"1/2
147.7000000	ELBOWO FxF 2"
146.7100000	ELBOW FxM 1"1/2
147.7100000	ELBOW FxM 2"
146.9000112	NIPPLE 1"1/2
146.9000000	NIPPLE 1"1/2 x 1"
146.9000114	NIPPLE 1"1/2 x 1"1/4"

1. ORING FOR ANTILEAK SEAL



3. VALVE UNION CONNECTION



4. STRONG UNION PAWL



TEE FxFxM



ELBOW FxF



NIPPLE 1"1/2



CROSS FxFxFxM



ELBOW FxM



NIPPLE



P.P. BARCODE FITTINGS

TECHNICAL INFORMATION

- Made of PP
- PN10
- Completely automatical assembling



Code	Models
610.8103412	BUSHING MF 3/4"X1/2" W/OR
610.8103400	BUSHING MF 1"X3/4 W/OR
610.1201200	NIPPLE 1/2" W/OR
610.1203400	CROSS 3Fxm 1"1/2
610.1201000	NIPPLE 1" W/OR
610.1103412	REDUCTION NIPPLE 3/4"X1/2" W/OR
610.1103400	REDUCTION NIPPLE 1"X3/4" W/OR
610.2201200	COUPLER 1/2" W/OR
610.2203400	COUPLER 3/4" W/OR
610.2201000	COUPLER 1" W/OR
610.2103412	REDUCTION COUPLER 3/4"X1/2" W/OR
610.2103400	REDUCTION COUPLER 1"X3/4" W/OR
610.3201200	ELBOW 90 1/2"F W/OR
610.3203400	ELBOW 90 3/4"F W/OR
610.3201000	ELBOW 90 1"F W/OR
610.4201200	TEE 1/2"F W/OR
610.4203400	TEE 3/4"F W/OR
610.4201000	TEE 1" F W/OR

1. BARCODE



2. O-RING



BUSHING MF W/OR



REDUCTION NIPPLE W/OR



ELBOW 90 F W/OR



NIPPLE W/OR



COUPLER W/OR



TEE F W/OR



TAP TIMER

BATTERY
CONTROLLER

24 VAC
CONTROLLER

SENSOR

ELECTRIC
VALVES

SPRINKLER

FITTINGS

ACCESSORIES

AGRICULTURE



ROUND VALVE BOXES "EZOPEN"^{PAT}

DESCRIPTION

The new round valve box is opened by simply lifting and pulling a discreet handle embedded in the lid. Each valve box has an anti vandal bolt for additional security. A specially designed model bracket inside the box allows easy and tidy wire installation to fit Rain's battery controller to PZCM 25. This is an unique, patented product in the irrigation market.

TECHNICAL INFORMATION

- Material: 100% polypropylene
- UNI EN 124 A class A 15 (Peak load > 15 Kn)

AVAILABLE VERSIONS

- PZCM RN15 D. 152/243 x H 229 mm
- PZCM RN25 D. 253/336 x H 261 mm
- Black body - Green lid
- Green body - Green lid

1. TWIST - LOCK LID



2. EZOPEN HANDLE & ANTIVANDALISM SCREW



3. BRACKET FOR RAIN EVO (PZCM 25)

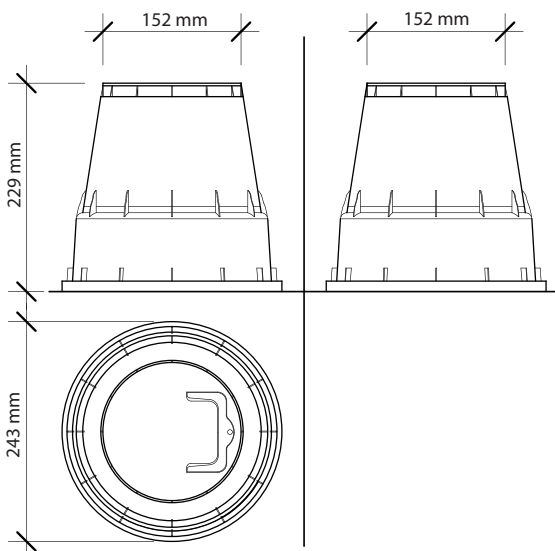


4. RACK FOR WIRES CONNECTORS (PZCM 25)

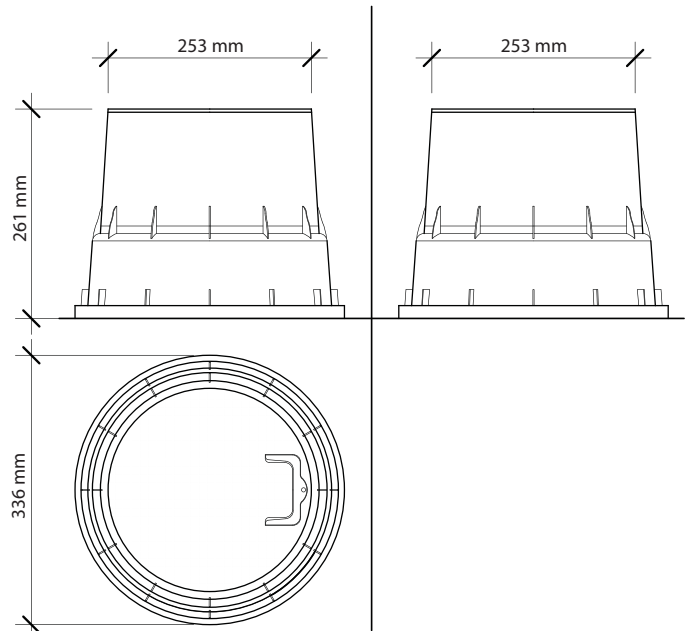


Code	Models	Pallet Q.ty
210.3001150	PZCM "EzOPEN" RN 15 BLACK BODY	792
210.3001250	PZCM "EzOPEN" RN 25 BLACK BODY	396
210.3002150	PZCM "EzOPEN" RN 15 GREEN BODY	792
210.3002250	PZCM "EzOPEN" RN 25 GREEN BODY	396
125.0115010	GREEN LID 15	
125.0125010	GREEN LID 25	

PZCM 15



PZCM 25



RECTANGULAR VALVE BOXES 113 E 115 "EZOPEN"^{PAT}



DESCRIPTION

The new rectangular valve box is opened by simply lifting and pulling a discreet handle embedded in the lid. Each valve box has an anti-vandal bolt for additional security. A specially designed model bracket inside the box allows easy and tidy wire installation to fit Rain's battery controller. This is a unique, patented product in the irrigation market. Valve boxes available in standard rectangular 12 In. and Jumbo 20 In.

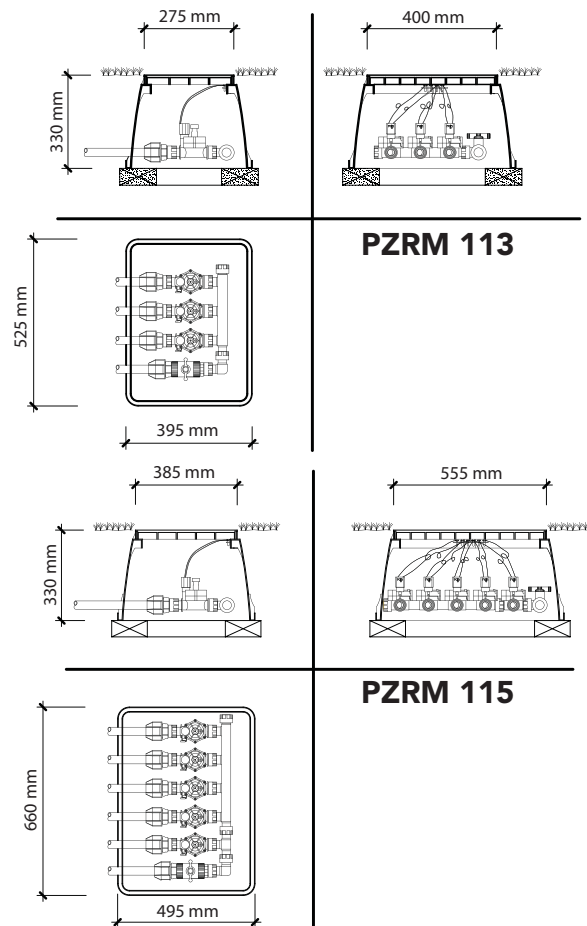
TECHNICAL INFORMATION

- Material: 100% polypropylene
- UNI EN 124 A class A 15 (Peak load > 15 Kn)

AVAILABLE VERSIONS

- PZRM 113 12 In: 520 x 400 x 330 mm
- PZRM 115 20 In: 670 x 490 x 330 mm
- Black body - Green lid
- Green body - Green lid

Code	Models	Pallet Q.ty
210.3001113	PZRM 113 "EzOPEN" BALCK BODY	144
210.3001115	PZRM 115 "EzOPEN" BALCK BODY	96
210.3002113	PZRM 113 "EzOPEN" GREEN BODY	144
210.3002115	PZRM 115 "EzOPEN" GREEN BODY	96
210.2100113	GREEN LID 113	
210.2100115	GREEN LID 115	
210.2109113	VIOLET LID 113	
210.2109115	VIOLET LID 115	



1. EZOPEN HANDLE & ANTIVANDALISM SCREW



1. RACLAIMED WATER LID VERSION (RW)



1. BRACKET FOR RAIN EVO



1. RACK FOR WIRES CONNECTORS



RECTANGULAR VALVE BOXES 117 "EZOPEN"^{PAT}

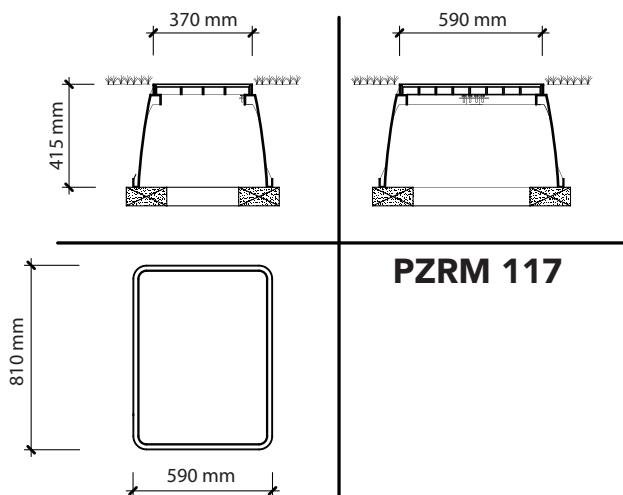
DESCRIPTION

The new rectangular valve box is opened by simply lifting and pulling a discreet handle embedded in the lid. Each valve box has an anti-vandal bolt for additional security. A specially designed model bracket inside the box allows easy and tidy wire installation to fit Rain's battery controller. This is an unique, patented product in the irrigation market. Valve boxes available in standard rectangular 12 In. and Jumbo 20 In.

TECHNICAL INFORMATION

- PZRM 117: 810 x 590 x 415 mm
- Material: 100% polypropylene
- UNI EN 124 A class A 15 (Peak load > 15 Kn)

Code	Models	Pallet Q.ty
210.300117	PZRM 117 "EzOPEN" BALCK BODY	N.A.
210.300217	PZRM 117 "EzOPEN" GREEN BODY	N.A.
210.210017	GREEN LID 117	N.A.



1. EZOPEN HANDLE & ANTIVANDALISM SCREW



1. BRACKET FOR RAIN EVO



1. RACLAIMED WATER LID VERSION (RW)



1. RACK FOR WIRES CONNECTORS



VALVE BOX RACK FOR "EZOPEN"^{PAT}



125.8000500 VALVE BOX RACK FOR "EZOPEN 113"



125.8000600 VALVE BOX RACK FOR "EZOPEN 115"



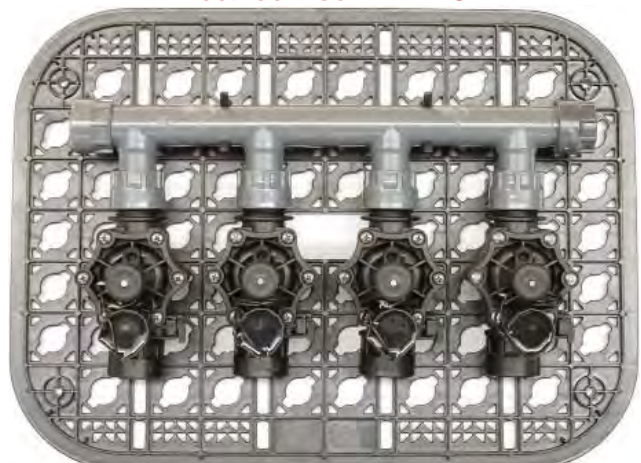
210.9901113 1" HANGER FOR RACK
210.9901112 1"1/2 HANGER FOR RACK
210.9901120 2" HANGER FOR RACK



100.4151130 - 24 VAC



100.1561130 - 24 VAC



AVAILABLE VERSIONS

- Customizable in many different configurations
- Easy installation on walls of technical rooms
- its special design helps to keep orderly and clean the valve box to simplify the maintenance of the installation
- The manifold hooks allow an easy installation of the valve box
- Compatible with standard rectangular valve box (PZRM113 and PZRM115)

Rain SpA presents the new patented VALVE BOX RACK. Compatible with Rain's standard rectangular valve box (mod. PZRM113 and PZRM115), it has been studied to do the fastest and cleanest installation of solenoid valves, manifold and fittings inside the valve box.

The installation of the valve system will be customizable in many different configurations, in fact the manifold hooks can be freely placed on the rack to meet all the needs of any specific installation. It will keep the valve system raised from the soil, ensuring over the time a good level of cleanliness, which will further easy maintenance or replacement of the components in the future.

The VALVE BOX RACK can be also installed in vertical position, to permit also an easy installation on walls of technical rooms.

Code	Models
125.8000500	VALVE BOX RACK FOR "EZOPEN 113" + 1" HANGER (4 pcs)
125.8000600	VALVE BOX RACK FOR "EZOPEN 115" + 1" HANGER (4 pcs)
210.9901113	1" HANGER FOR RACK (8 pcs)
210.9901112	1"1/2 HANGER FOR RACK (8 pcs)
210.9901120	2" HANGER FOR RACK (8 pcs)
164.4151130	KIT WITH BOX RACK 113 4 ELECTRIC VALVES 150 1" MxUNION 9 VDC
164.1561130	KIT WITH BOX RACK 113 4 ELECTRIC VALVES 155 1" MxUNION 9 VDC
100.4151130	KIT WITH BOX RACK 113 4 ELECTRIC VALVES 150 1" MxUNION 24 VAC
100.1561130	KIT WITH BOX RACK 113 4 ELECTRIC VALVES 155 1" MxUNION 24 VAC

TAP TIMER

BATTERY
CONTROLLER

24 VAC
CONTROLLER

SENSOR

ELECTRIC
VALVES

SPRINKLER

FITTINGS

ACCESSORIES

AGRICULTURE



ROUND VALVE BOX WITH 3/4" BALL VALVE

TECHNICAL INFORMATION

- Material: 100% polypropilene
- Valve material: zinc alloy
- Valve 3/4" male thread
- Intel 3/4" female thread
- High resistance lid

AVAILABLE VERSIONS

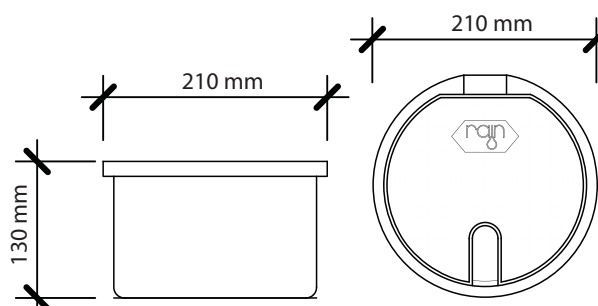
- PZCR RN15 D. 210/210 x H130 mm
- Black body - Green lid

Code	Models	Pallet Q.ty
210.3000100	PZCR RN 15	288
125.3000120	GREEN LID	

1. 3/4" MALE THREAD VALVE



2. INLET 3/4" FEMALE THREAD



QUICK COUPLING VALVE - BRASS

TECHNICAL INFORMATION

- One piece solid brass construction for durability
- Stainless Steel Spring
- Brass Valve
- Drain hole in body to minimize debris collection
- Specially designed grommet
- Auto close lid when not in use
- Cover made of Thermo Plastic Elastomer

Code	Models
600.5400820	3/4" x 3/4" SWIVEL ELBOW
600.5400760	1" x 1" SWIVEL ELBOW
600.5401410	1" 1/4 QUICK COUPLING
600.5401420	OPENER 1" 1/4 QUICK COUPLING
600.5401520	OPENER 1" 1/2 QUICK COUPLING
600.5401510	1" 1/2 QUICK COUPLING

Code	Models
600.5400800	3/4" QUICK COUPLING
600.5400810	OPENER 3/4" QUICK COUPLING
600.5401001	1" QUICK COUPLING
600.5401010	OPENER 1" QUICK COUPLING



QUICK COUPLING VALVE - PLASTIC

TECHNICAL INFORMATION

- Click Lock on lid
- Stainless Steel Spring
- Specially designed grommet
- UV Stabilized
- Rugged two piece valve body design
- "Turn & Lock" Key with ribbed grip
- Specially designed for application in public area
- Rain Bird Compatible

Code	Models
600.5400100	QUICK COUPLING VALVE plastic 1/2" M
600.5400200	QUICK COUPLING VALVE plastic 3/4" M
600.5400300	KEY FOR QUICK COUPLING VALVE plastic

CLAMP SADDLES



TECHNICAL INFORMATION

- Material: black polypropylene
- Gasket: nitrilich rubber 70 shore
- Screw: galvanized steel
- Reinforcing ring: stainless steel "AISI 430"
- Admissible pressure: 6 bar
- Threading: in compliance to the European Standard UNI 228
- Applications: industry, acqueducts, gardening
- Versions: 20 x 1/2" to 63 x 1"1/2"

Code	Models
600.5102012	CLAMP SADDLES 20x1/2"
600.5102512	CLAMP SADDLES 25x1/2"
600.5102534	CLAMP SADDLES 25x3/4"
600.5103212	CLAMP SADDLES 32x1/2"
600.5103234	CLAMP SADDLES 32x3/4"
600.5104012	CLAMP SADDLES 40x1/2"
600.5104034	CLAMP SADDLES 40x3/4"
600.5104010	CLAMP SADDLES 40x1"
600.5105012	CLAMP SADDLES 50x1/2"
600.5105034	CLAMP SADDLES 50x3/4"
600.5105010	CLAMP SADDLES 50x1"
600.5106334	CLAMP SADDLES 63x3/4"
600.5106310	CLAMP SADDLES 63x1"
600.5106312	CLAMP SADDLES 63x1"1/2"



BLU - LOCK

DESCRIPTION

Working in a sprinkler trench is tough enough-don't make it harder by using traditional pipe fitting methods that require hot, toxic glue, clamps or frustrating barbed fittings. Hydro-Rain offers a better way, Blu-Lock.

Everything you do from the valve out, you can now do faster and easier with Blu-Lock. Primer? Glue? Clamps? Tools? With the BluLock system you don't need them!

Simply stated, Blu-Lock by Hydro-Rain is the fastest greenest. Irrigation installation method in the world.

BUILT FOR SPEED ADVANTAGES

- Patented "Push-and-Go" Design: 100% tool and chemical free approach cut installation time in half.
- True System Integration: Total compatibility of fittings, pipe, manifolds, valves, saddles, and heads,
- Exclusive Trench and Trenchless Technology: Coil and straight length pipe options provide unrivaled flexibility

FEATURES AND BENEFITS

- Heavy-Duty Construction: Built tough fittings made from UV-resistant ABS, stainless steel and EPDM seals are designed and tested to ensure toughness.
- Patented Retaining System-Stainless steel teeth grip pipe tight for a strong, leak-proof connection.
- Outside Diameter Technology-Flow is unimpeded for 25 percent increase in flow versus traditional insert fittings.
- High Quality and "Easy-Flex"-Blu-Lock lateral and swing pipe are made from virgin resins and meet ASTM standards.
- Patented Quick-Release Collar-1/2" swing fittings feature quick-release mechanism that allows tool-free removal
- Hydra-Rain Warranty-3-year limited warranty on fittings, 30-year limited warranty on pipe. Some restrictions apply

1. SET SWING ASSEMBLY



3. INSERT LATERAL LINE INTO ASSEMBLY



2. CUT-INTO THE LATERAL LINE



4. SET SPRINKLER



Code	Models
200.3797000	ELBOW BLU-LOCK 1/2" M X BL
200.3797100	ELBOW BLU-LOCK 3/4" M X BL
200.3797200	ELBOW BLU-LOCK 1/2" F X BL
200.3797300	ELBOW BLU-LOCK 3/4" F X BL
200.3797350	ELBOW BLU-LOCK BL X BL
200.3797900	ELBOW PER GIUNTO SNODATO
200.3797400	ADAPTOR BLU-LOCK 1/2" M X BL
200.3797500	ADAPTOR BLU-LOCK 3/4" M X BL
200.3797600	COUPLING BLU-LOCK
200.3797700	TEE BLU-LOCK
200.3798000	PIPE BLU-LOCK 30 METRI
200.2611000	CUTTER BLU-LOCK

TAP TIMER

BATTERY CONTROLLER

24 VAC CONTROLLER

SENSOR

ELECTRIC VALVES

SPRINKLER

FITTINGS

ACCESSORIES

AGRICULTURE



Code	Models
120.4300030	PFS 1/2" M x 1/2" M
120.4300050	PFS 1/2" M x 3/4" M
120.4300040	PFS 3/4" M x 3/4" M
120.4300020	PFE RISER 1/2" M x 3/4" M

CUT-OFF & TELESCOPIC RISERS

Rain Risers allow a quicker and more economic assembling of any sprinklers: static or rotor. Available into two different series.

TECHNICAL INFORMATION

- Serie PFS: cut-off riser (length minimum 5 cm – Max 12 cm)
- Available in the following threading: 1/2" M X 1/2" M – 1/2" M X 3/4" M – 3/4" M X 3/4" M
- Serie PFE: telescopic riser. Telescopic riser is composed by a fixed side - to be screwed on the saddle previously fixed to the tube – length as from 10 cm and by a telescopic side length 8 cm, adjustable from 10 cm to 18 cm with fit 1/2" M X 3/4" M.



PP VALVE

Family of PP valves from 1/2" to 2" with OR,

TECHNICAL INFORMATION

- Made of PP
- PN10
- full automatical assembling
- Low temperature resistant
- Nickel brass ball

Code	Models
143.0000012	VALVE 1/2" F PP
143.0000034	VALVE 3/4" F PP
143.0000100	VALVE 1" F PP
143.1000100	VALVE 1" M PP
143.1000915	VALVE 1" M x UN PP
143.0000114	VALVE 1"1/4 F PP
143.0000112	VALVE 1"1/2 F PP
143.0000200	VALVE 2" F PP



Code	Models
120.1300020	DRAINAGE VALVE 1/2" M

RN DRAIN VALVE

PVC drainage valve, automatically empties water from the pipe. Useful when the irrigation system presents difference of levels that will cause discharge of water at the lowest sprinkler of the system, every time the irrigation cycle will end. Realization in plastic material makes it competitive and reliable

TECHNICAL INFORMATION

- Working pressure lower than 0,2 bar
- Threading 1/2" M & 3/4" M



Code	Models
800.2100510	PICKETS - 100 pieces bag
800.2100500	PICKETS - 1000 pieces box

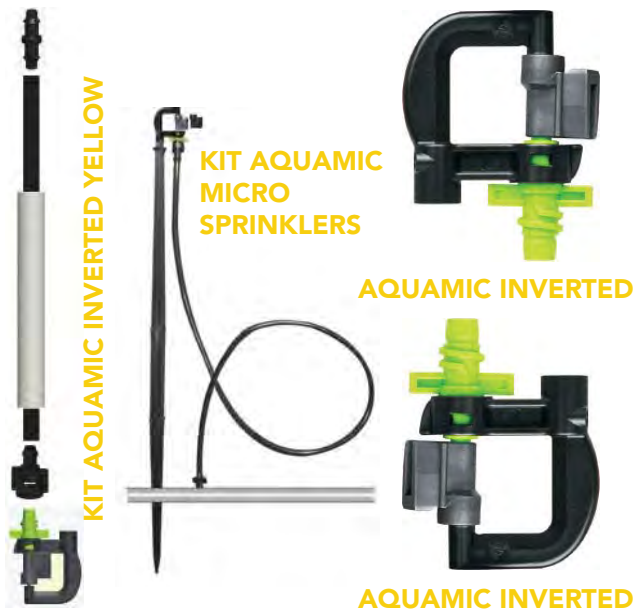
PICKETS

Picket for driplines and pipe. Used to fix wings and porous pipe to the ground. Tough and resistant to UVA.

To be applied with drip lines diam. 16 mm, 20 mm and models of porous pipe.

TECHNICAL INFORMATION

- Packed in plastic bags
- Height: 14 cm



KIT AQUAMIC INVERTED YELLOW

KIT AQUAMIC MICRO SPRINKLERS

AQUAMIC INVERTED

AQUAMIC INVERTED

AQUAMIC

Micro Sprinklers

FEATURES AND BENEFITS

- Application in Greenhouse, Nurseries & Horticulture
- Operating Pressure Range : 1 to 3 bar
- It can also be used for Poultry Cooling System

APPLICATIONS

- Green houses, Nurseries
- Propagation Chamber
- Fine drops creates uniform cloud
- Recommended Spacing : 1.0 to 1.5 m
- Coverage Diameter : 1.9 to 4.8 m
- Discharge Flow Rates : 36 to 245 l/hr

PERFORMANCES AQUAMIC INVERTED								
Swivel Color	Nozzle color	Nozzle mm	1.0 kg/cm ²		2.0 kg/cm ²		3.0 kg/cm ²	
			Flow l/h	Diam mm	Flow l/h	Diam mm	Flow l/h	Diam mm
Black	Purple	1.0	36	7.2	52	8.0	62	8.8
	Orange	1.2	52	8.2	76	8.8	95	9.6
	Blue	1.4	72	8.6	102	9.6	127	10.4
	Yellow	1.6	90	8.8	130	9.8	160	10.0
	Green	1.8	115	9.2	162	10.0	195	10.6
	White	2.0	135	9.4	198	10.6	245	11.0
	Brown	2.3	182	9.6	260	10.8	330	11.4

Code	Models
695.8000200	KIT AQUAMIC MICRO SPRINKLERS
695.8009416	KIT AQUAMIC INVERTED ASSEMBLED (1,6 mm YELLOW)
695.8000410	AQUAMIC - INVERTED - Purple
695.8000412	AQUAMIC - INVERTED - Orange
695.8000414	AQUAMIC - INVERTED - Blue
695.8000416	AQUAMIC - INVERTED - yellow
695.8000418	AQUAMIC - INVERTED - Green
695.8000420	AQUAMIC - INVERTED - White
695.8000423	AQUAMIC - INVERTED - Brown
695.8000210	AQUAMIC - Purple
695.8000212	AQUAMIC - Orange
695.8000214	AQUAMIC - Blue
695.8000216	AQUAMIC - yellow
695.8000218	AQUAMIC - Green



KIT AQUAMIC INVERTED

AQUAMIST

AQUAMIST

Micro Sprinklers

FEATURES AND BENEFITS

- Application in Greenhouse, Nurseries & Horticulture
- Operating Pressure Range : 1 to 3 bar
- It can also be used for Poultry Cooling System

APPLICATIONS

- Green houses, Nurseries
- Propagation Chamber
- Fine drops creates uniform cloud
- Recommended Spacing : 1.0 to 1.5 m
- Coverage Diameter : 1.9 to 4.8 m
- Discharge Flow Rates : 36 to 245 l/hr

PERFORMANCES (MIST SPRAYER)								
Swivel Color	Nozzle color	Nozzle mm	1.0 kg/cm ²		2.0 kg/cm ²		3.0 kg/cm ²	
			Flow l/h	Diam mm	Flow l/h	Diam mm	Flow l/h	Diam mm
Black	Black	0.80	24	1.6	34	1.8	42	2.0
	Purple	1.0	36	1.9	52	2.2	62	2.4
	Orange	1.2	52	2.2	76	2.6	95	3.2
	Blue	1.4	72	2.6	102	3.2	127	3.6
	Yellow	1.6	90	2.8	135	3.6	165	3.8
	Green	1.8	115	3.2	162	4.0	195	4.2

Code	Models
695.8000300	KIT AQUAMIST INVERTED ASSEMBLED (1,6 mm YELLOW)
695.8000508	AQUAMIST - Black
695.8000512	AQUAMIST - Purple
695.8000512	AQUAMIST - Orange
695.8000514	AQUAMIST - Blue
695.8000516	AQUAMIST - yellow
695.8000518	AQUAMIST - Green

TAP TIMER

BATTERY CONTROLLER

CONTROLLER

SENSOR

ELECTRIC VALVES

SPRINKLER

FITTINGS

ACCESSORIES

AGRICULTURE



AQUATUFF

Micro Sprinklers

FEATURES

- Sturdy and solid structure
- Insect proof pop-up swivel
- Wetted Diameter: 5.5-12m, 1.3-2.5 m with break away tab
- Discharge Flow Rates : 30 to 350 l/hr
- Operating Pressure Range : 1.0 to 3.0 bar
- Various Nozzle sizes gives variable range of discharge
- Unique water spreader for uniform distribution, maximum range and large droplets.
- Break away tab on two stage swivel to increase the wetted diameters from young to mature trees

APPLICATIONS

- For widely spaced plantation (upto 6m. X 6m. spacing) such as Ground Nut, Onions, Garlic, Mango, Walnut etc.
- Recommended for under tree and overhead irrigation

Code	Models
695.8000100	AQUATUFF

AQUATUFF FLOW RATES (M)									
Swivel Color	Nozzle color	Nozzle mm	1.5 kg/cm ²		2.0 kg/cm ²		2.5 kg/cm ²		
			Flow l/h	Diam mm	Flow l/h	Diam mm	Flow l/h	Diam mm	
Black	Violet	0.80	28	5.4	36	5.4	41	5.5	
	Brown	0.94	42	6.2	52	6.4	57	6.4	
Blue	Gray	1.14	62	7.2	71	7.4	80	7.4	
	Green	1.40	90	8.2	102	8.4	118	8.5	
Green	Orange	1.50	105	9.0	122	9.2	136	9.4	
	Black	1.78	140	9.6	162	9.6	180	10.0	
	Blue	1.98	174	10.4	202	10.4	225	10.4	
	Yellow	2.20	210	10.6	245	11.0	295	11.4	
	Red	2.40	245	11.6	290	12.0	350	12.0	

AQUATUFF - WETTED DIAMETER (M)						
Nozzle color	Flow Rate	Nozzle mm	Purple		Grey	
			1 st stage	2 nd stage	1 st stage	2 nd stage
Black	71	1.14	1.3	3.2	1.9	4.8
Green	102	1.40	1.4	3.2	1.9	5.0
Orange	122	1.50	1.5	3.4	2.0	5.3
Black	162	1.78	1.6	3.5	2.0	5.4
Blue	202	1.98	1.6	4.0	2.2	6.0
Yellow	245	2.20	1.7	4.2	2.2	6.5
Red	290	2.40	1.8	4.5	2.5	6.8



AQUAFOG Nozzles Flow Rate (l/hr)

Nozzle	Blue	Green
1 way	5.3	7.0
2 ways	10.6	14.0
4 ways	21.2	28.0

AQUAFOG

AQ - 250 Series

FEATURES

- Reduces temperature and increases humidity in Greenhouse.
- Interchangeable color coded nozzles.
- Connected with LPD and push fit / bayonet.
- Fine droplet size (50-60 microns @ 4.0 bar)
- A secondary filter (75-100 microns) is required to operate the product.
- High water distribution uniformity and coverage.
- Easy installation and service.
- Material: Acetal
- Pattern: 360°
- Droplet Size: 50-60 Microns @ 4 bar
- Operating Pressure: 4 bar
- Operating Range: 3-5 bar
- Opening Pressure: 2.5 bar
- Closing Pressure: 1.5 Bar

APPLICATIONS

- Evaporative cooling and humidifying control for Greenhouse and Long tunnels.
- Provides perfect conditions for plant propagation.
- Organic or Conventional fields.

Code	Models
250.1002510	KIT 1 WAY FOGGER AQ- 251 - Green
250.1002520	KIT 2 WAY FOGGER AQ- 252 - Green
250.1002540	KIT 4 WAY FOGGER AQ- 254 - Green

FITTINGS



Code	Models
695.1207009	COUPLER 4 mm

PIPE



Code	Models
695.5010073	PIPE PE 5.5 x 7.5 mm (100 cm)
695.5010074	PIPE PVC 4.0 x 7.0 mm (100 cm)

STABILIZER - 14 cm



Code	Models
695.5010082	STABILIZER 14 cm

LPD VALVE



Code	Models
695.1803096	LPD VALVE BAYONET M x F

LPD VALVE



Code	Models
695.1807011	LPD VALVE BAYONET F x Pushfit (for fogger)
695.1807010	LPD VALVE BAYONET Pushfit F x M (for fogger)

BAYONET



Code	Models
695.8100100	BAYONET FITTING F x 4 mm INNESTO

BAYONET



Code	Models
695.1207026	BAYONET FITTING F x 1/2" M

FITTINGS



Code	Models
695.1207008	BAYONET CONNECTION M x 4 mm INNESTO

SPIKES



Code	Models
695.1207024	SPIKES 35 cm (1)
695.1209004	UNIVERSAL SPIKES (2)
695.1207023	SPIKES 43 cm (3)
695.1207006	SPIKES 50 cm (4)

TAP TIMER

BATTERY
CONTROLLER

CONTROLLER

SENSOR

ELECTRIC
VALVES

SPRINKLER

FITTINGS

ACCESSORIES

AGRICULTURE



Y SCREEN FILTER

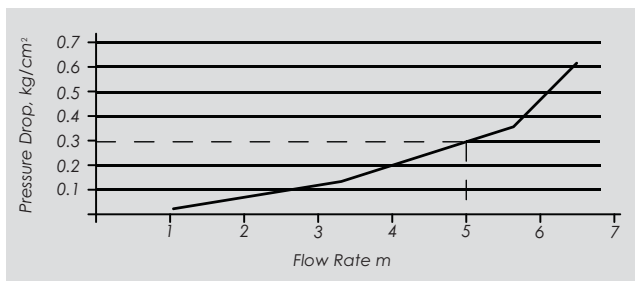
TECHNICAL INFORMATION

- Corrosion resistant
- Easy to install
- Low maintenance
- Available in 80 mesh & 150 mesh

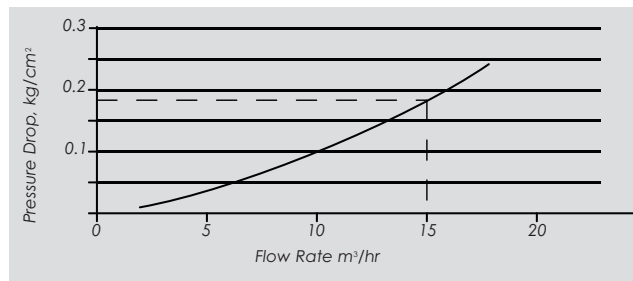
Code	Models
360.2501000	FILTER 3/4" M - 120 mesh 5 m ³ /hr
360.2501010	FILTER 1" M - 120 mesh 5 m ³ /hr
360.2501020	FILTER 1"1/4 M - 120 mesh 15 m ³ /hr
360.2501030	FILTER 1"1/2 M - 120 mesh 20 m ³ /hr
360.2501040	FILTER 2" M - 120 mesh 25 m ³ /hr

Specifications	3/4" & 1"	1"1/4	1"1/2 & 2"
Max Pressure:	5.8 bar	5.8 bar	7.1 bar
Mesh Size:	120 mesh/ 130 micron	120 mesh/ 130 micron	120 mesh/ 130 micron
Range of Flow Rate:	4 - 6 m ³ /hr	12 - 16 m ³ /hr	18 - 27m ³ /hr
Nominal Flow rete:	5 m ³ /ora	15 m ³ /ora	20/25 m ³ /hr
Clean Pressure drop:	max 0.3 kg/ cm ²	max 0.18 kg/ cm ²	max 0.3 kg/ cm ²
Filtration Surface Area :	120 cm ²	295 cm ²	295 cm ² 492 cm ²
Filtering Cartridge:	Stainless Steel Screen	Stainless Steel Screen	Stainless Steel Screen
Cartridge Diameter:	48 mm	69 mm	64 mm 104 mm
Cartridge Length:	150 mm	222 mm	222 mm 286 mm
Weight:	0.23 kg	0.85 kg	0.810 kg 1.850 kg

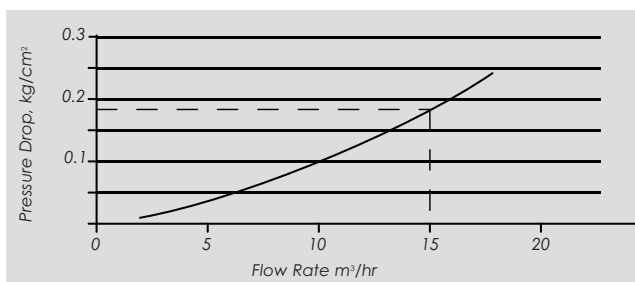
GRAPH 3/4" & 1"
5 m³/h



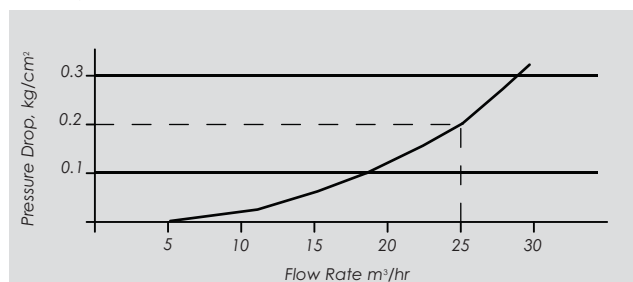
GRAPH 1"1/2
15 m³/h



GRAPH 2"
20 m³/h



GRAPH 2"
25 m³/h





T SCREEN FILTER

Nominal flw rate 25 m³/hr (AQ-124T)

TECHNICAL INFORMATION

- Inlet/outlet: 2" BSP
- Range of Flow Rate: 20 - 27 m³/hr
- Nominal Flow Rate: 25 m³/hr
- Filtration surface Area: 492 cm²
- Material of Construction: Polypropylene Glass Reinforced
- Filtering Cartridge: 316 Grade Stainless Steel Screen
- Cartridge Diameter: 109 mm
- Cartridge Length: 286 mm
- Easy to install
- Low maintenance

Code	Models
280.7501040	FILTER 2" M - screen 120 mesh 25 m ³ /hr Stainless Steel Clamp - max bar 10
280.7501042	FILTER 2" M - screen 120 mesh 25 m ³ /hr Hybrid clamp - max bar 8



T SCREEN FILTER

Nominal flw rate 30 m³/hr (AQ-125T)

TECHNICAL INFORMATION

- Inlet/outlet: 2" 1/2 BSP
- Range of Flow Rate: 27 - 35 m³/hr
- Nominal Flow Rate: 30 m³/hr
- Filtration surface Area: 492 cm²
- Material of Construction: Polypropylene Glass Reinforced
- Filtering Cartridge: 316 Grade Stainless Steel Screen
- Cartridge Diameter: 109 mm
- Cartridge Length: 286 mm
- Easy to install
- Low maintenance

Code	Models
280.7501070	FILTER 2" 1/2 M - screen 120 mesh 30 m ³ /hr Stainless Steel Clamp - max bar 10
280.7501072	FILTER 2" 1/2 M - screen 120 mesh 30 m ³ /hr Hybrid clamp - max bar 8



T SCREEN FILTER

Nominal flw rate 40 m³/hr (AQ-125TL)

TECHNICAL INFORMATION

- Inlet/outlet: 2" 1/2 BSP
- Range of Flow Rate: 35 - 45 m³/hr
- Nominal Flow Rate: 40 m³/hr
- Filtration surface Area: 831 cm²
- Material of Construction: Polypropylene Glass Reinforced
- Filtering Cartridge: 316 Grade Stainless Steel Screen
- Cartridge Diameter: 118 mm
- Cartridge Length: 378.5 mm
- Easy to install
- Low maintenance

Code	Models
280.7501080	FILTER 2" 1/2 M - screen 120 mesh 40 m ³ /hr Stainless Steel Clamp - max bar 10
280.7501082	FILTER 2" 1/2 M - screen 120 mesh 40 m ³ /hr Hybrid clamp - max bar 8

TAP TIMER

BATTERY
CONTROLLER

CONTROLLER

SENSOR

ELECTRIC
VALVES

SPRINKLER

FITTINGS

ACCESSORIES

AGRICULTURE



T SCREEN FILTER

Nominal flw rate 40 m³/hr (AQ-126T)

TECHNICAL INFORMATION

- Inlet/outlet: 3" BSP
- Range of Flow Rate: 35 - 45 m³/hr
- Nominal Flow Rate: 40 m³/hr
- Filtration surface Area: 831 cm²
- Material of Construction: Polypropylene Glass Reinforced
- Filtering Cartridge: 316 Grade Stainless Steel Screen
- Cartridge Diameter: 118 mm
- Cartridge Length: 378.5 mm
- Easy to install
- Low maintenance

Code	Models
280.7501045	FILTER 3" M - screen 120 mesh 40 m ³ /hr Stainless Steel Clamp - max bar 10



T SCREEN FILTER

Nominal flw rate 50 m³/hr (AQ-126TL)

TECHNICAL INFORMATION

- Inlet/outlet: 3" BSP
- Range of Flow Rate: 45 - 52 m³/hr
- Nominal Flow Rate: 50 m³/hr
- Filtration surface Area: 1108 cm²
- Material of Construction: Polypropylene Glass Reinforced
- Filtering Cartridge: 316 Grade Stainless Steel Screen
- Cartridge Diameter: 118 mm
- Cartridge Length: 502 mm
- Easy to install
- Low maintenance

Code	Models
280.7501050	FILTER 3" M - screen 120 mesh 50 m ³ /hr Stainless Steel Clamp - max bar 10
280.7501052	FILTER 3" M - screen 120 mesh 50 m ³ /hr Hybrid clamp - max bar 8



DOUBLE SCREEN FILTER

Nominal flow rate 70 and 90 m³/hr

TECHNICAL INFORMATION

- Inlet/outlet: 4" BSP
- Maximum Operatin Pressure: 10 bar
- Stainless still Clamps
- Material of Construction: Poliamide Reinforced

Code	Models
280.5801040	DOUBLE SCREEN FILTER 4" M 120 MESH 70MC/H
280.5801050	DOUBLE SCREEN FILTER 4" M 120 MESH 90MC/H



T DISC FILTER

Nominal flow rate 30 m³/hr (AQ-134T)

TECHNICAL INFORMATION

- Inlet/outlet: 2" BSP
- Range of Flow Rate: 22 - 35 m³/hr
- Nominal Flow Rate: 30 m³/hr
- Filtration surface Area: 1193 cm²
- Material of Construction: Polypropylene Glass Reinforced
- Filtering Cartridge: Polypropylene Disc
- Cartridge Diameter: 131 mm
- Cartridge Length: 400 mm
- Easy to install
- Low maintenance

Code	Models
280.5501040	FILTER 2" M - screen 120 mesh 30 m ³ /hr Stainless Steel Clamp - max bar 10
280.5501042	FILTER 2" M - screen 120 mesh 30 m ³ /hr Hybrid clamp - max bar 8



T DISC FILTER

Nominal flow rate 30 m³/hr (AQ-135T)

TECHNICAL INFORMATION

- Inlet/outlet: 2" 1/2 BSP
- Range of Flow Rate: 25 - 35 m³/hr
- Nominal Flow Rate: 30 m³/hr
- Filtration surface Area: 878 cm²
- Material of Construction: Polypropylene Glass Reinforced
- Filtering Cartridge: Polypropylene Disc
- Cartridge Diameter: 131 mm
- Cartridge Length: 300 mm
- Easy to install
- Low maintenance

Code	Models
280.5501070	FILTER 2" 1/2 M - screen 120 mesh 30 m ³ /hr Stainless Steel Clamp - max bar 10
280.5501072	FILTER 2" 1/2 M - screen 120 mesh 30 m ³ /hr Hybrid clamp - max bar 8



T DISC FILTER

Nominal flow rate 40 m³/hr (AQ-135TL)

TECHNICAL INFORMATION

- Inlet/outlet: 2" 1/2 BSP
- Range of Flow Rate: 35 - 45 m³/hr
- Nominal Flow Rate: 40 m³/hr
- Filtration surface Area: 1193 cm²
- Material of Construction: Polypropylene Glass Reinforced
- Filtering Cartridge: Polypropylene Disc
- Cartridge Diameter: 131 mm
- Cartridge Length: 400 mm
- Easy to install
- Low maintenance

Code	Models
280.5501080	FILTER 2" 1/2 M - screen 120 mesh 40 m ³ /hr Stainless Steel Clamp - max bar 10
280.5501082	FILTER 2" 1/2 M - screen 120 mesh 40 m ³ /hr Hybrid clamp - max bar 8



T DISC FILTER

Nominal flow rate 40 m³/hr (AQ-136TS)

TECHNICAL INFORMATION

- Inlet/outlet: 3" BSP
- Range of Flow Rate: 35 - 45 m³/hr
- Nominal Flow Rate: 40 m³/hr
- Filtration surface Area: 1193 cm²
- Material of Construction: Polypropylene Glass Reinforced
- Filtering Cartridge: Polypropylene Disc
- Cartridge Diameter: 131 mm
- Cartridge Length: 400 mm
- Easy to install
- Low maintenance

Code	Models
280.5501050	FILTER 3" M - screen 120 mesh 40 m ³ /hr Stainless Steel Clamp - max bar 10



T DISC FILTER

Nominal flow rate 50 m³/hr (AQ-136T)

TECHNICAL INFORMATION

- Inlet/outlet: 3" BSP
- Range of Flow Rate: 45 - 52 m³/hr
- Nominal Flow Rate: 50 m³/hr
- Filtration surface Area: 1690 cm²
- Material of Construction: Polypropylene Glass Reinforced
- Filtering Cartridge: Polypropylene Disc
- Cartridge Diameter: 131 mm
- Cartridge Length: 525 mm
- Easy to install
- Low maintenance

Code	Models
280.5501055	FILTER 3" M - screen 120 mesh 50 m ³ /hr Stainless Steel Clamp - max bar 10



SEMI AUTOMATIC SCREEN FILTER

Nominal flow rate 25 m³/hr (AQ-124TSA)

TECHNICAL INFORMATION

- Inlet/outlet: 2" BSP
- Range of Flow Rate: 18 - 27 m³/hr
- Nominal Flow Rate: 25 m³/hr
- Filtration surface Area: 554 cm²
- Material of Construction: Polypropylene Glass Reinforced
- Filtering Cartridge: Polypropylene Disc
- Cartridge Diameter: 118 mm
- Cartridge Length: 252 mm
- Easy to install
- Low maintenance

Code	Models
280.7502025	SEMI AUTOMATIC FILTER 2" M - screen 120 mesh 40 m ³ /hr Stainless Steel Clamp - max bar 10



SEMI AUTOMATIC SCREEN FILTER

Nominal flow rate 40 m³/hr (AQ-126TSA)

TECHNICAL INFORMATION

- Inlet/outlet: 3" BSP
- Range of Flow Rate: 32 - 42 m³/hr
- Nominal Flow Rate: 40 m³/hr
- Filtration surface Area: 831 cm²
- Material of Construction: Polypropylene Glass Reinforced
- Filtering Cartridge: Polypropylene Disc
- Cartridge Diameter: 118 mm
- Cartridge Length: 378 mm
- Easy to install
- Low maintenance

Code	Models
280.7502040	SEMI AUTOMATIC FILTER 3" M - screen 120 mesh 40 m ³ /hr Stainless Steel Clamp - max bar 10



HYDROCYCLONE FILTER

PRODUCT SPECIFICATIONS & MEASUREMENTS

Body made of reinforced engineering plastic for durability.

- Hydro dynamically designed to create maximum centrifugal adion.
- Dirt can be easily flushed out through drain porto
- Collec1or chamber can be easily deaned by opening colector cover.
- Fac10ry fil slip-on flanges for easy installation.
- Easy lo Install and low mainenance.
- New Stand for Height increase.
- Collector chamber a.allable In 8 Hr. & IO 11r. slzo.

Code	Models
280.9014400	HYDROCYCLONE FILTER 2"
280.9014600	HYDROCYCLONE FILTER 3"

Performance Data

Model No.	Intel / Outlet Inch/mm	Rec. Range of Flow Rate, m ³ /hr	Nominal Flow Rate m ³ /hr	Dimensions (mm)					Capacity of Underflow Chamber (ltr)	Gross Weight
				A	B	C	D	E		
144M	2" /50	15-25	25	940	808	206	151	395	8	7.6 kg.
145M	2 1/2" /65	25-40	30	940	815	206	151	395	8	7.8 kg.
146M	3" / 80	35-50	50	990	868	248	175	482	10	9.6 kg.

TAP TIMER

BATTERY CONTROLLER

CONTROLLER

SENSOR

ELECTRIC VALVES

SPRINKLER

FITTINGS

ACCESSORIES

AGRICULTURE

VENTURI INJECTOR



Code	Models
140.1000034	RNHV VENTURI 3/4"
140.1000100	RNHV VENTURI 1"
140.1000112	RNHV VENTURI 1"1/2
140.1000200	RNHV VENTURI 2"
140.2000000	RNHV kit

VENTURI ASPIRATION KIT



Code	Models
140.2000100	ASPIRATION KIT - venturi 3/4" & 1"
140.2000112	ASPIRATION KIT - venturi 1"1/2
140.2000200	ASPIRATION KIT - venturi 2"

VENTURI REGULATION KIT



Code	Models
140.3000100	REGULATION KIT - venturi 3/4" e 1"
140.3000112	REGULATION KIT - venturi 1"1/2
140.3000200	REGULATION KIT - venturi 2"

MOD. 3/4"			
Inlet pressure Bar	Outlet pressure bar	Suction l/h	Motive flow l/min
0.7	0.4	50	10
0.7	0.5	0	8
1	0	70	13
1	0.4	98	12.5
1	0.6	55	12
1	0.8	30	11.8
1.4	0	70	15
1.4	0.2	70	15
1.4	0.4	70	15
1.4	0.6	66	14.8
1.4	0.8	55	14.1
1.4	1	38	13.6
1.7	0	70	16.3
1.7	0.2	70	16.3
1.7	0.35	68	16.3
1.7	0.7	68	16.3
1.7	1	60	16
2.1	0	68	18.3
2.1	0.35	66	18.3
2.1	0	80	9

MOD. 1"			
Inlet pressure Bar	Outlet pressure bar	Suction l/h	Motive flow l/min
0.7	0.4	150	30
0.7	0.5	105	30
1	0	220	33
1	0.4	198	32
1	0.6	135	30
1	0.8	0	28
1.4	0	200	40
1.4	0.2	200	40
1.4	0.4	200	40
1.4	0.6	190	38
1.4	0.8	138	35
1.4	1	100	35
1.7	0	200	42
1.7	0.2	197	42
1.7	0.35	197	42
1.7	0.7	195	42
1.7	1	180	41
2.1	0	195	47
2.1	0.35	195	47
---	---	---	---

VENTURI INJECTOR

DESCRIPTION

Injectors RNV PLUS are available in size 3/4", 1" and 1"1/2 and are studied to mix any kind of liquids or air into the main pipes. Their application is not used for irrigation only, but also for chemical industrial use.

Rain company utilizes its advanced technology in production to provide optimum performance with maximum energy efficiency, it is in fact minimum the pressure differential required for injector RNV PLUS working.

Injector RNV PLUS is equipped by a non-return valve composed by chemical resistant accessories (sphere in Teflon- gasket in Tecnofluon).

TECHNICAL FEATURES

- Delivers plant nutrients directly into the wetted zone
- In-built check valve for protecting the injected liquid against back flow
- Can be used with a large variety of chemicals
- Uniform application of fertilizers
- Saves Energy & Manpower

ROTAMETER SPECIFICATIONS

- Rotameter: Float-Type
- Rotameter Flow Rate Marking: 50-200 LPH
- Least Count: 10 LPH

MOD. 1"1/2			
Inlet pressure Bar	Outlet pressure bar	Suction l/h	Motive flow l/min
1	0	600	60
1	0.4	360	58
1	0.6	240	58
1	0.8	40	50
1.4	0	580	74
1.4	0.2	514	72
1.4	0.4	485	70
1.4	0.6	410	70
1.4	0.8	290	68
1.4	1	160	66
1.7	0	620	75
1.7	0.2	610	75
1.7	0.35	570	75
1.7	0.7	480	72
1.7	1	335	70
2.1	0	600	85
2.1	0.35	600	85
2.1	0.7	560	85
2.1	1	440	84
2.5	0	620	95
2.5	0.35	580	95
2.5	0.7	575	95
2.5	1.2	500	90
3	0	630	115
3	0.35	630	115
3	0.7	625	115
3	1.2	600	110
3	1.5	560	110
4	0	620	130
4	0.5	610	130
4	1	600	130
4	0	600	130
4	1.5	560	125
4	2.5	450	120
4	3	250	120
5	0	610	150
5	0.5	610	150
5	1	620	145
5	1.5	620	145
5	2	600	140
5	2.5	580	140
5	3	470	140
5	3.5	285	135

MOD. 2"			
Inlet pressure Bar	Outlet pressure bar	Suction l/h	Motive flow l/min
0.5	0	3850	960
0.75	0	5040	980
1	0	5820	1020
1	0.25	5820	1020
1	0.5	5820	910
1.5	0	6750	1100
1.5	0.5	6750	1100
1.5	0.75	6750	960
1.5	1	6750	660
2	0	7540	1100
2	0.5	7540	1060
2	0.75	7540	1020
2	1	7540	970
2	1.25	7540	700
2	1.5	7540	400
2.5	0	8280	1100
2.5	0.5	8280	1100
2.5	0.75	8280	1020
2.5	1	970	1020
2.5	1.25	8280	980
2.5	1.5	8280	720
2.5	1.75	8280	520
2.5	2	8280	200
3	0	8990	1060
3	1	8990	1060
3	1.25	8990	1060
3	1.5	8990	1060
3	1.75	8990	920
3	2	8990	620
3	2.25	8990	200
3	2.5	8990	-
4	0	10220	1060
4	1	10220	1060
4	2	10220	1060
4	2.25	10220	980
4	2.5	10220	820
4	2.75	10220	540
5	0	11310	1060
5	1	11310	1060
5	2	11310	1060
5	3	11310	980
5	3.25	11310	420



SINGLE UNION PVC BALL VALVE

TECHNICAL INFORMATION

- Easy to Handle & Install
- Sizes Available: 3/4", 1" & 1 1/2"
- Corrosion & weather resistant
- High pressure rating of 10kg/cm2 (Bar)

Code	Models
143.5000034	PVC Ball Valve 3/4" FxF
143.5100034	PVC Ball Valve 3/4" FxM
143.5000100	PVC Ball Valve 1" FxF
143.5100100	PVC Ball Valve 1" FxM
143.5200200	PVC Ball Valve 2" FxM
143.5200300	PVC Ball Valve 3" FxM



DOUBLE UNION PVC BALL VALVE

TECHNICAL INFORMATION

- Easy to Handle & Install.
- Handle made of Polyamide with Metal Insert.(For Long Handle Only)
- Corrosion and Weather resistant.
- True union design for easier installation or repairs without panding the pipe system.
- UV stabilized.
- Options Available:

Code	Models
143.5000200	PVC Ball Valve 2" FxF
143.5000300	PVC Ball Valve 3" FxF
143.5300300	PVC Ball Valve 3" FLANGED
143.5200200	PVC Ball Valve 2" BONDED JOINT
143.5200300	PVC Ball Valve 3" BONDED JOINT



PLASTIC CONTROL (THROTTLE) VALVES

TECHNICAL INFORMATION

- Easy grip handle for convenient operation.
- Inbuilt flow control indicator for easy understanding of % of throttling.
- Corrosion resistant & UV Stabilized.
- Main spindle shaft made out of reinforced nylon for extra strength and more wear resistant during continuous operation.
- Straight through flow with minimal pressure drop.
- Provides optimum performance in conditions where hi flow efficiency and long service is required.
- Slow operation prevents water hammer.
- Body made of Glass Reinforced Engineering Plastic
- Handle made of ABS/PP
- O-Ring: NBR (Nitrile Butadiene Rubber)
- Bearing Washers: PTFE

Code	Models
280.8005400	2" PLASTIC CONTROL VALVES
280.8005600	3" PLASTIC CONTROL VALVES