



ROUND VALVE BOX WITH 3/4" BALL VALVE

TECHNICAL INFORMATION

- Material: 100% polypropilene
- Valve material: zync alloy
- Valve 3/4" male thread
- Intel 3/4" female thread
- High resistance lid

AVAILABLE VERSIONS

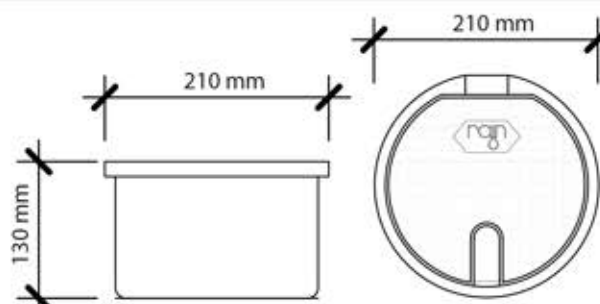
- PZCR RN15 D. 210/210 x H130 mm
- Black body - Green lid

Code	Models	Pallet Q.ty
210.3000100	PZCR RN 15	288
125.3000120	GREEN LID	

1. 3/4" MALE THREAD VALVE



2. INLET 3/4" FEMALE THREAD



QUICK COUPLING VALVE - BRASS

TECHNICAL INFORMATION

- One piece solid brass construction for durability
- Stainless Steel Spring
- Brass Valve
- Drain hole in body to minimize debris collection
- Specially designed grommet
- Auto close lid when not in use
- Cover made of Thermo Plastic Elastometer

Code	Models
600.5400820	3/4" x 3/4" SWIVEL ELBOW
600.5400760	1" x 1" SWIVEL ELBOW
600.5401410	1"1/4 QUICK COUPLING
600.5401420	OPENER 1"1/4 QUICK COUPLING
600.5401520	OPENER 1"1/2 QUICK COUPLING
600.5401510	1"1/2 QUICK COUPLING

Code	Models
600.5400800	3/4" QUICK COUPLING
600.5400810	OPENER 3/4" QUICK COUPLING
600.5401001	1" QUICK COUPLING
600.5401010	OPENER 1" QUICK COUPLING



QUICK COUPLING VALVE - PLASTIC

TECHNICAL INFORMATION

- Click Lock on lid
- Stainless Steel Spring
- Specially designed grommet
- UV Stabilized
- Rugged two piece valve body design
- "Turn & Lock" Key with ribbed grip
- Specially designed for application in public area
- Rain Bird Compatible

Code	Models
600.5400100	QUICK COUPLING VALVE plastic 1/2" M
600.5400200	QUICK COUPLING VALVE plastic 3/4" M
600.5400300	KEY FOR QUICK COUPLING VALVE plastic